

Y - Globe valves



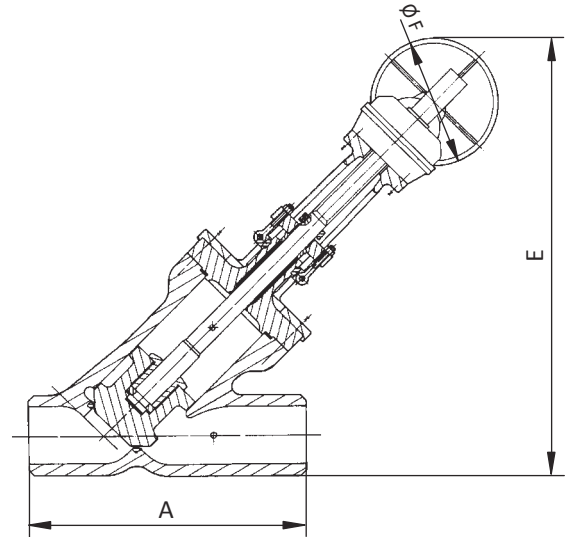
Bolted bonnet and Pressure seal

ASME Class 600

Bolted bonnet, ASME Class 600 dimensional data, mm

Size inches	A		D (open)	E (closed)	ØF	Weight kg
	RF	BW				
3	508	406	477	444	355	97
4	635	508	622	558	457	175
6	812	660	863	812	609	350
8	939	787	965	889	609	575
10	1117	990	1143	1054	609	920
12	1244	1117	—	1390	609	1270
14	1346	1193	—	1574	609	1600
16	1498	1346	—	1676	609	1920
18	1701	1524	—	1178	609	2400
20	1905	1651	—	1930	863	3100
24	2184	1930	—	2057	863	4800

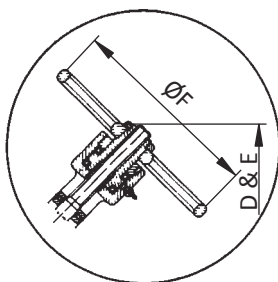
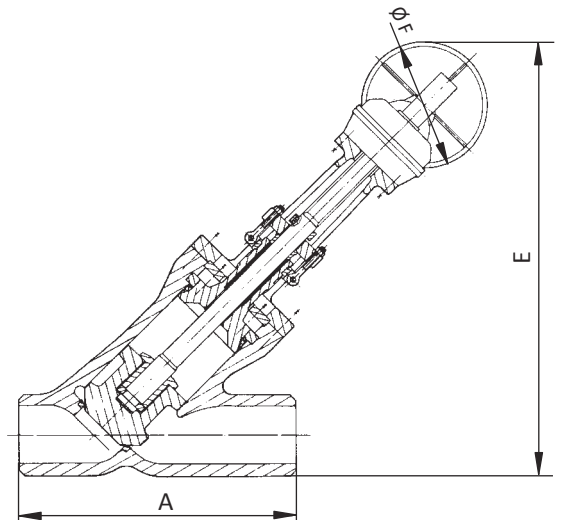
10 inches and smaller manually operated
Weights of raised flanged valve style
Dimensional data of greater sizes upon request



Pressure seal, ASME Class 600 dimensional data, mm

Size inches	A		D (open)	E (closed)	ØF	Weight kg
	RF	BW				
3	431	355	477	444	355	84
4	533	431	596	546	457	145
6	673	558	812	800	609	375
8	838	736	965	863	609	490
10	1016	863	1104	1016	609	900
12	1143	990	—	1390	609	1210
14	1219	1066	—	1524	609	1510
16	1371	1193	—	1676	609	1950
18	1574	1346	—	1828	609	2215
20	1727	1473	—	1993	863	2900
24	1981	1778	—	2159	863	4300

10 inches and smaller manually operated
Weights of raised flanged valve style
Dimensional data of greater sizes upon request



Y - Globe valves



Pressure seal

ASME Class 900/1500/2500

ASME Class 900 dimensional data, mm

Size inches	A BW	D (open)	E (closed)	ØF	Weight kg
3	469	609	546	355	93
4	546	723	660	508	135
6	635	965	889	508	314
8	787	1244	1155	609	562
10	863	—	1422	609	892
12	990	—	1524	609	1275
14	1066	—	1752	609	1750
16	1193	—	1981	863	2200
18	1346	—	—	—	2700
20	1473	—	—	—	3300
24	1778	—	—	—	4224

8 inches and smaller manually operated
Dimensional data of greater sizes upon request

ASME Class 1500 dimensional data, mm

Size inches	A BW	D (open)	E (closed)	ØF	Weight kg
3	546	609	546	355	95
4	635	736	673	457	155
6	704	1041	952	609	470
8	831	—	1280	508	790
10	990	—	1371	609	1300
12	1130	—	1625	863	2100
14	1257	—	1828	863	2700
16	1397	—	2159	863	3400
18	1574	—	—	—	4100
20	1727	—	—	—	5000
24	1930	—	—	—	6800

6 inches and smaller manually operated
Dimensional data of greater sizes upon request

ASME Class 2500 dimensional data, mm

Size inches	A BW	D (open)	E (closed)	ØF	Weight kg
3	577	609	558	457	118
4	673	762	685	609	230
6	914	1041	939	609	650
8	1022	—	1371	863	1100
10	1270	—	1574	863	1900
12	1422	—	1778	863	2800
14	1574	—	1854	863	3700
16	1778	—	—	—	4800
18	1930	—	—	—	6000
20	2032	—	—	—	7500
24	2235	—	—	—	10600

6 inches and smaller manually operated
Dimensional data of greater sizes upon request

