

Trunnion mounted



Side entry, cast steel, Full bore

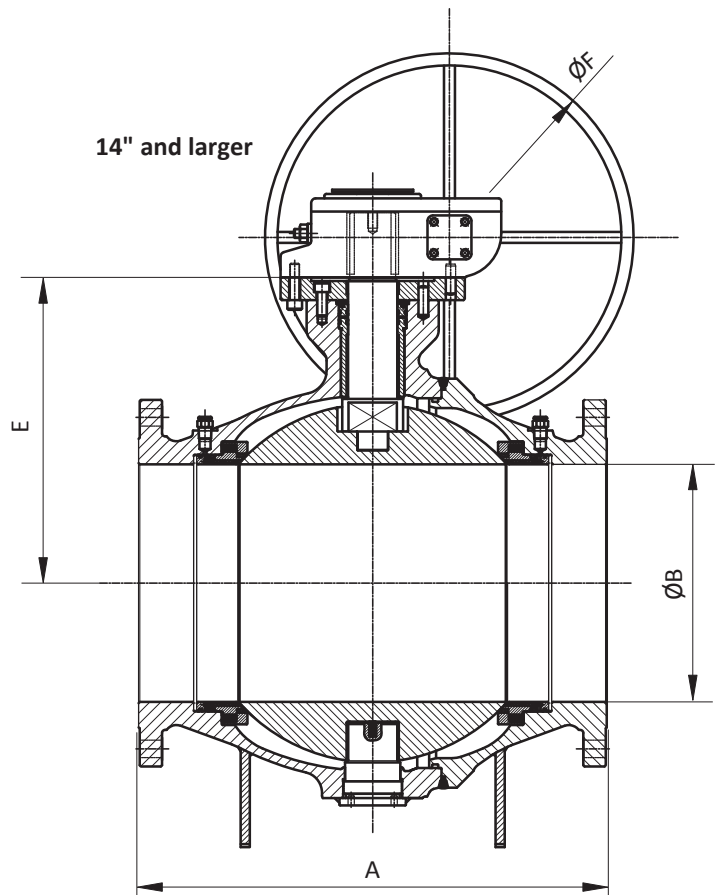
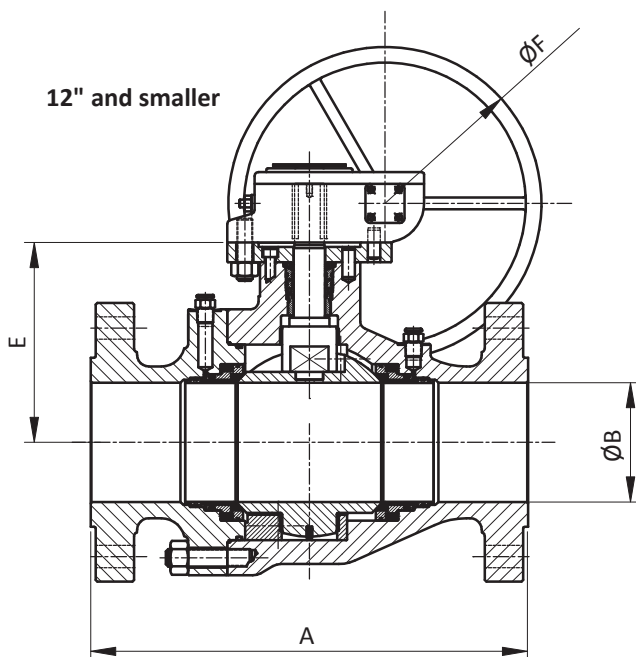
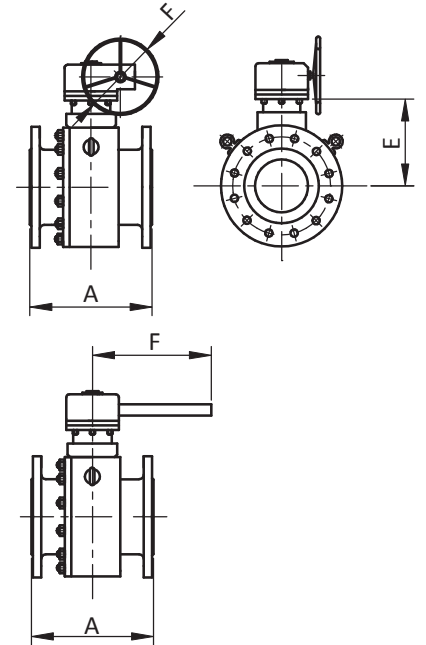
ASME Class 150

Dimensional data, mm

Size inches	A			ØB	E	F	Weight kg
	RF	BW	RTJ				
2	178	216	191	51	188	410	11
3	203	283	216	76	229	510	18
4	229	305	241	102	260	700	38
6	394	457	406	152	340	700	131
8	457	521	470	203	375	600	189
10	533	559	546	254	450	600	343
12	610	635	622	305	480	600	529
14	686	762	699	337	490	600	715
16	762	838	775	387	498	600	865
18	864	914	876	438	548	600	1060
20	914	991	927	489	567	800	1415
24	1067	1143	1080	591	677	900	2251

6 inches and smaller lever operated

Weights of welded body welding-end valve style



Trunnion mounted



Side entry, cast steel, Full bore

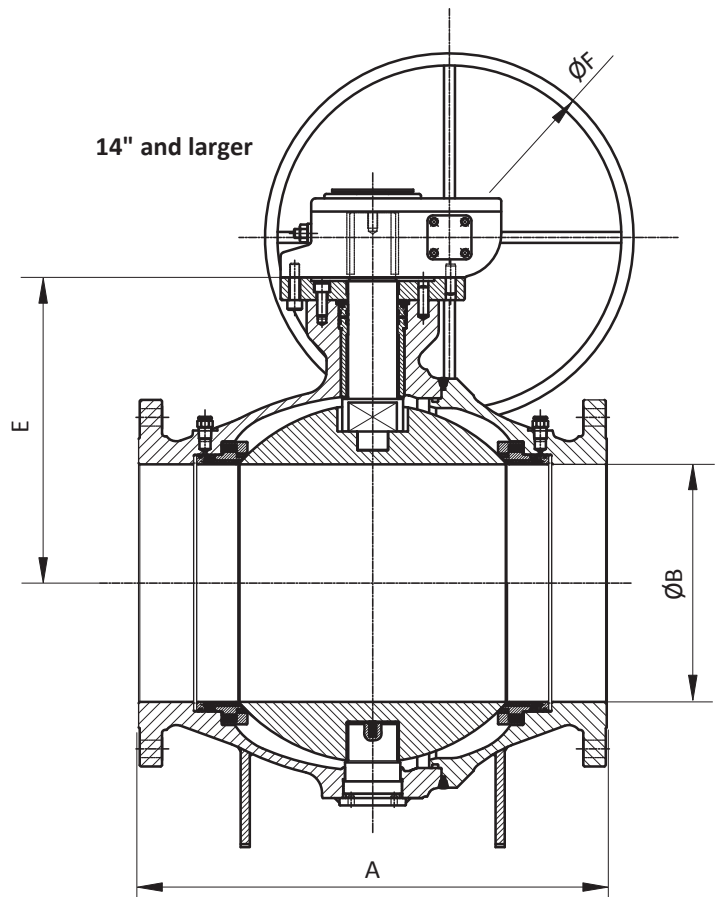
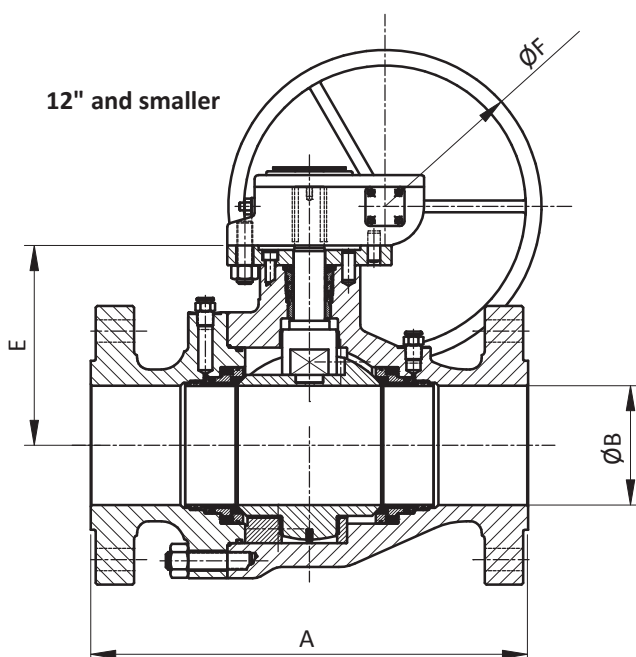
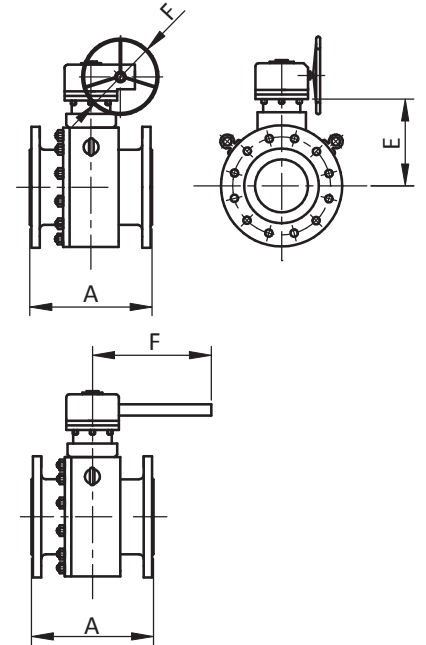
ASME Class 300

Dimensional data, mm

Size inches	A			ØB	E	F	Weight kg
	RF	BW	RTJ				
2	216	216	232	51	188	410	17
3	283	283	298	76	229	510	25
4	305	305	321	102	260	700	48
6	403	457	419	152	340	700	142
8	502	521	518	203	375	600	225
10	568	559	584	254	450	600	325
12	648	635	664	305	480	600	545
14	762	762	778	337	490	600	758
16	838	838	854	387	498	600	917
18	914	914	930	438	548	600	1124
20	991	991	1010	489	567	800	1500
22	1092	1092	1114	540	622	900	1920
24	1143	1143	1165	591	677	900	2386

6 inches and smaller lever operated

Weights of welded body welding-end valve style



Trunnion mounted



Side entry, cast steel, Full bore

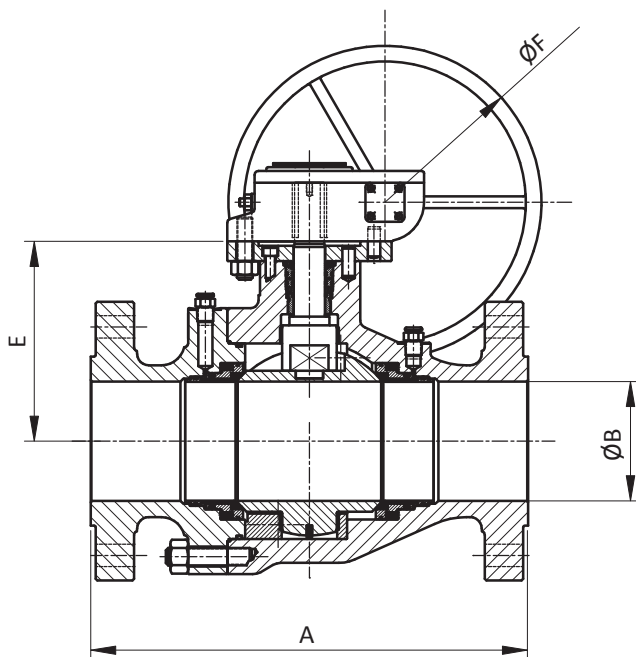
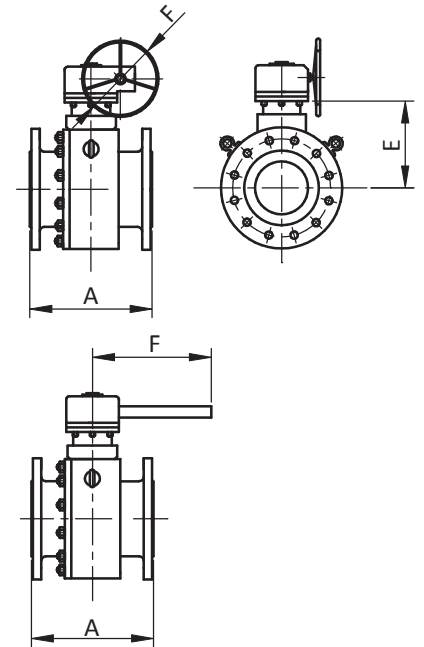
ASME Class 600

Dimensional data, mm

Size inches	A			ØB	E	F	Weight kg
	RF	BW	RTJ				
2	292	292	295	51	188	410	25
3	356	356	359	76	229	510	36
4	432	432	435	102	260	700	61
6	559	559	562	152	305	500	145
8	660	660	664	203	375	600	295
10	787	787	791	254	450	600	405
12	838	838	841	305	495	600	637

4 inches and smaller lever operated

Weights of welded body welding-end valve style



Trunnion mounted

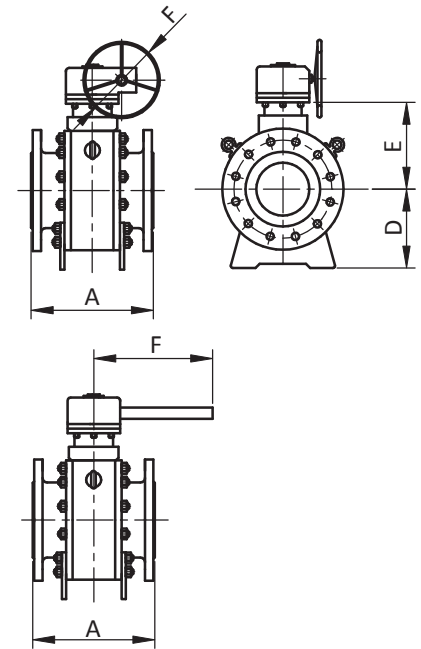


Side entry, forged steel, Full bore

ASME Class 150

Dimensional data, mm

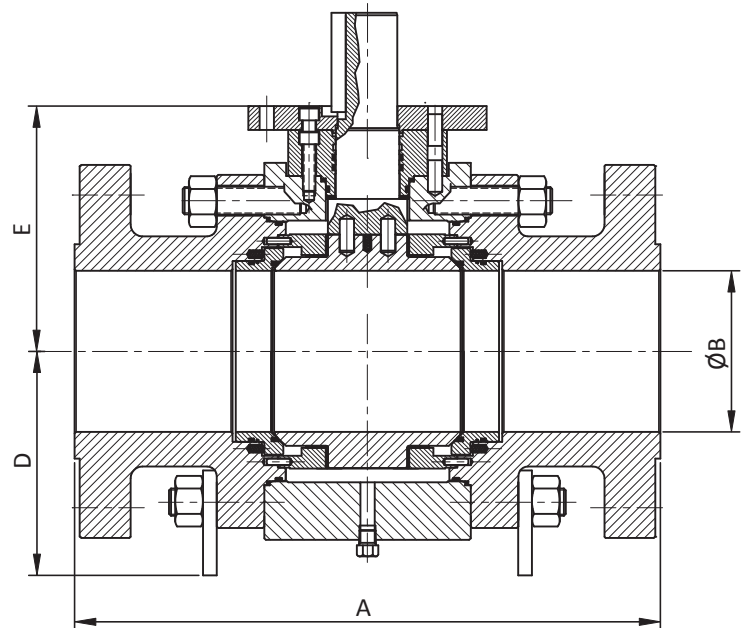
Size inches	A			ØB	D	E	F	Weight kg
	RF	BW	RTJ					
2	178	216	191	51	95	160	410	28
3	203	283	216	76	120	185	510	49
4	229	305	241	102	186	235	700	88
6	394	457	406	152	250	325	700	160
8	457	521	470	203	280	282	600	248
10	533	559	546	254	345	321	600	379
12	610	635	622	305	365	357	600	571
14	686	762	699	337	418	394	600	759
16	762	838	775	387	430	443	600	1150
18	864	914	876	438	500	490	600	1325
20	914	991	927	489	573	506	800	1769
24	1067	1143	1080	591	607	604	900	2814
26	1143	1245	—	635	640	637	900	3705
28	1245	1346	—	686	685	680	900	4550
30	1295	1397	—	737	722	720	900	6250
32	1372	1524	—	781	780	766	Motor	7745
34	1473	1626	—	832	812	827	Motor	8950
36	1524	1727	—	876	850	892	Motor	10170



6 inches and smaller lever operated.

Dimensional data of greater sizes available upon request.

Product range up to 60".



Bolted body and
Fully welded body design available

Trunnion mounted

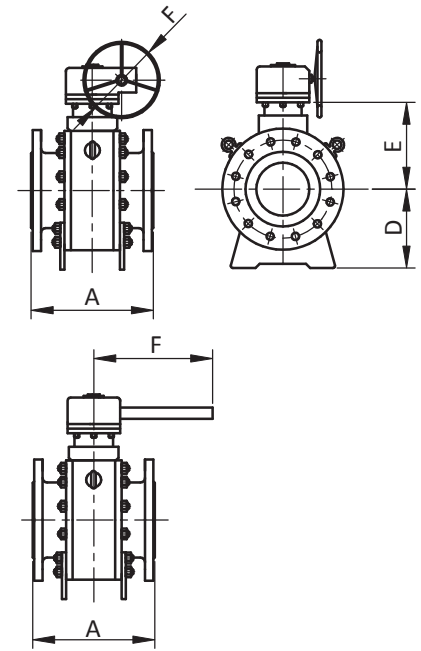


Side entry, forged steel, Full bore

ASME Class 300

Dimensional data, mm

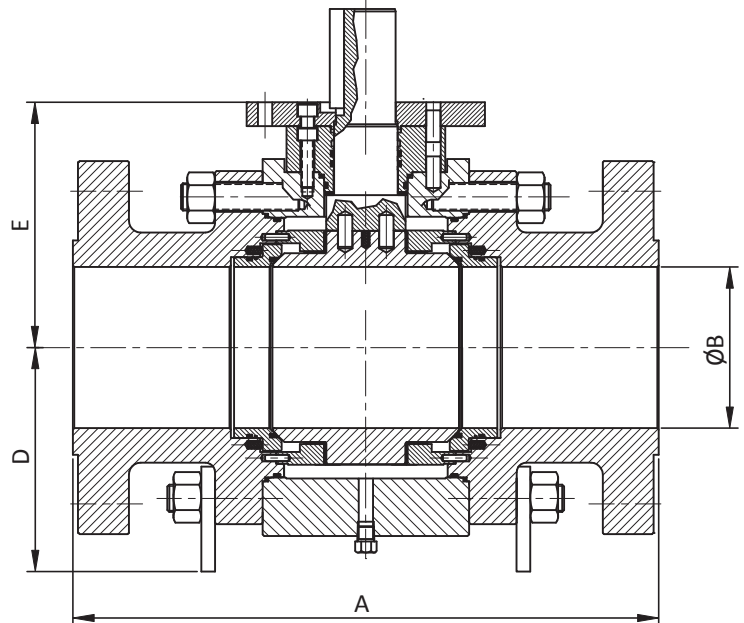
Size inches	A			ØB	D	E	F	Weight kg
	RF	BW	RTJ					
2	216	216	232	51	95	160	410	29
3	283	283	298	76	120	185	510	55
4	305	305	321	102	186	235	700	97
6	403	457	419	152	250	325	700	185
8	502	521	518	203	300	287	600	287
10	568	559	584	254	345	321	600	507
12	648	635	664	305	405	365	600	740
14	762	762	778	337	438	405	600	1038
16	838	838	854	387	475	443	600	1452
18	914	914	930	438	520	510	600	1648
20	991	991	1010	489	573	560	800	2190
22	1092	1092	1114	540	592	581	900	2535
24	1143	1143	1165	591	607	604	900	2970
26	1245	1245	1270	635	640	637	900	3790
28	1346	1346	1372	686	685	680	900	4585
30	1397	1397	1422	737	722	720	900	6350
32	1524	1524	1553	781	780	766	Motor	7745
34	1626	1626	1654	832	812	827	Motor	9100
36	1727	1727	1756	876	850	892	Motor	10300



6 inches and smaller lever operated.

Dimensional data of greater sizes available upon request.

Product range up to 60".



Bolted body and
Fully welded body design available

Trunnion mounted

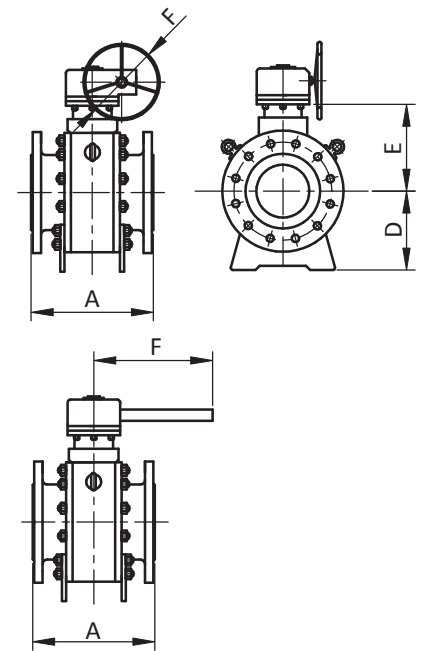


Side entry, forged steel, Full bore

ASME Class 600

Dimensional data, mm

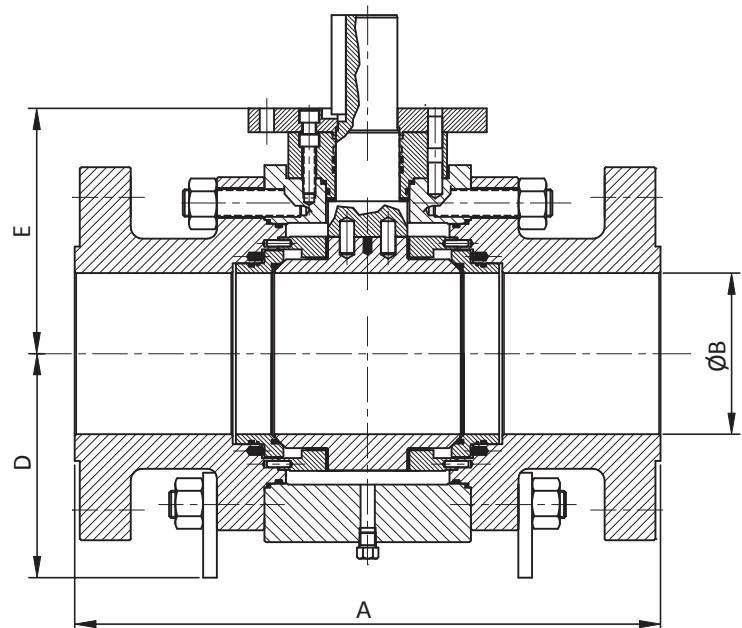
Size inches	A			ØB	D	E	F	Weight kg
	RF	BW	RTJ					
2	292	292	295	51	110	185	410	32
3	356	356	359	76	120	220	510	60
4	432	432	435	102	186	280	700	124
6	559	559	562	152	250	360	500	255
8	660	660	664	203	300	390	600	483
10	787	787	791	254	345	450	600	760
12	838	838	841	305	405	500	600	984
14	889	889	892	337	438	500	600	1085
16	991	991	994	387	475	550	600	1532
18	1092	1092	1095	438	520	590	600	2097
20	1194	1194	1200	489	540	610	800	2635
22	1295	1295	1305	540	581	613	900	3050
24	1397	1397	1407	591	622	616	900	3510
26	1448	1448	1461	635	662	654	900	4515
28	1549	1549	1562	686	701	691	900	5480
30	1651	1651	1664	737	750	740	900	7195
32	1778	1778	1794	781	815	781	Motor	9200
34	1930	1930	1946	832	854	846	Motor	10150
36	2083	2083	2099	876	892	910	Motor	10700



4 inches and smaller lever operated.

Dimensional data of greater sizes available upon request.

Product range up to 56".



Bolted body and
Fully welded body design available

Trunnion mounted



Side entry, forged steel, Full bore

ASME Class 900

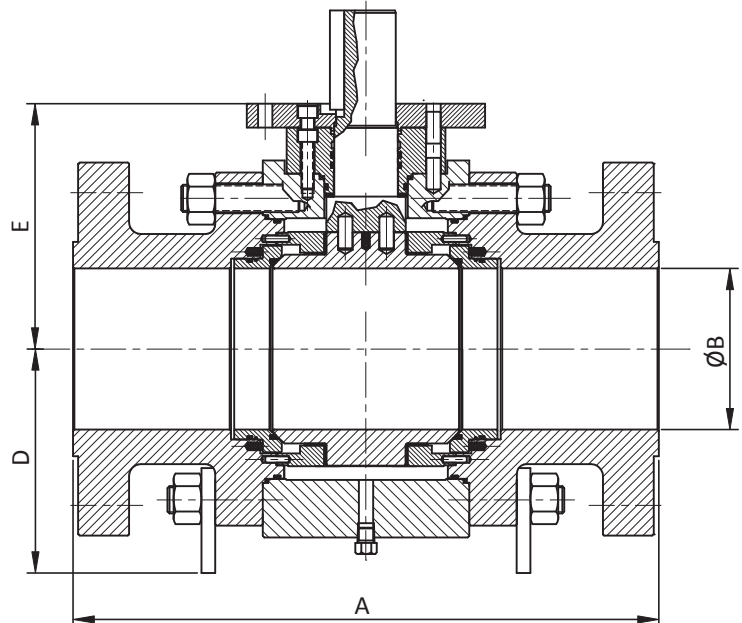
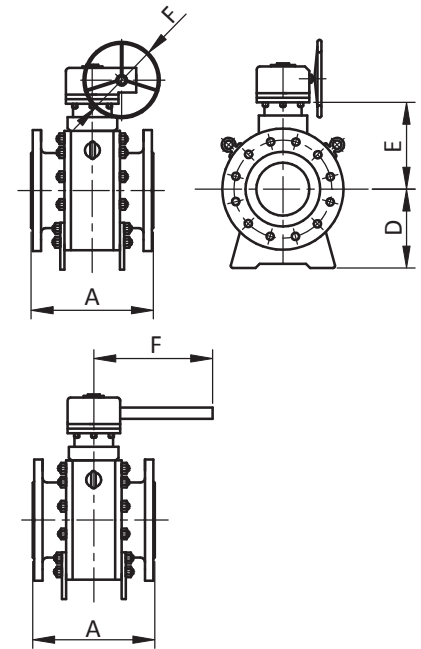
Dimensional data, mm

Size inches	A			ØB	D	E	F	Weight kg
	RF	BW	RTJ					
2	368	368	371	51	120	185	410	50
3	381	381	384	76	120	255	510	76
4	457	457	460	102	150	285	600	150
6	610	610	613	152	251	370	600	367
8	737	737	740	203	280	400	600	600
10	838	838	841	254	340	450	800	1027
12	965	965	968	305	390	500	800	1558
14	1029	1029	1038	324	442	520	800	1477
16	1130	1130	1140	375	490	550	800	2157
18	1219	1219	1232	425	500	600	800	2860
20	1321	1321	1334	473	500	630	800	4220
24	1549	1549	1568	572	630	720	800	6850

3 inches and smaller lever operated.

Dimensional data of greater sizes available upon request.

Product range up to 56".



Bolted body and
Fully welded body design available

Trunnion mounted



Side entry, forged steel, Full bore

ASME Class 1500/2500

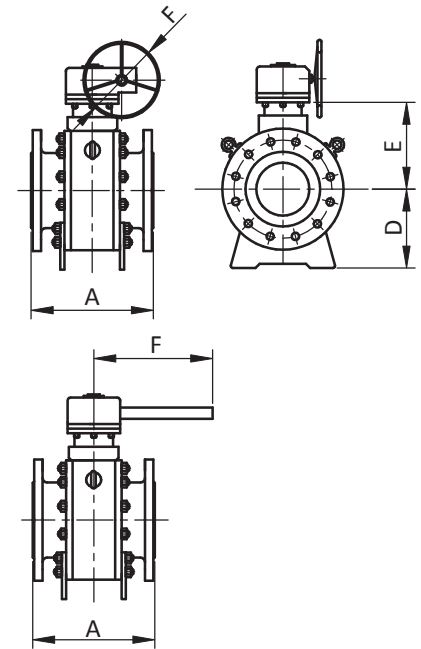
ASME Class 1500 dimensional data, mm

Size inches	A			ØB	D	E	F	Weight kg
	RF	BW	RTJ					
2	368	368	371	51	120	185	410	53
3	470	470	473	76	120	255	510	98
4	546	546	549	102	150	285	600	200
6	705	705	711	146	270	460	600	485
8	832	832	841	194	300	520	600	827
10	991	991	1000	241	360	640	800	1507
12	1130	1130	1146	289	410	720	800	2272
14	1257	1257	1276	318	460	760	800	2880
16	1384	1384	1407	362	510	820	800	4120

3 inches and smaller lever operated.

Dimensional data of greater sizes available upon request.

Product range up to 30".



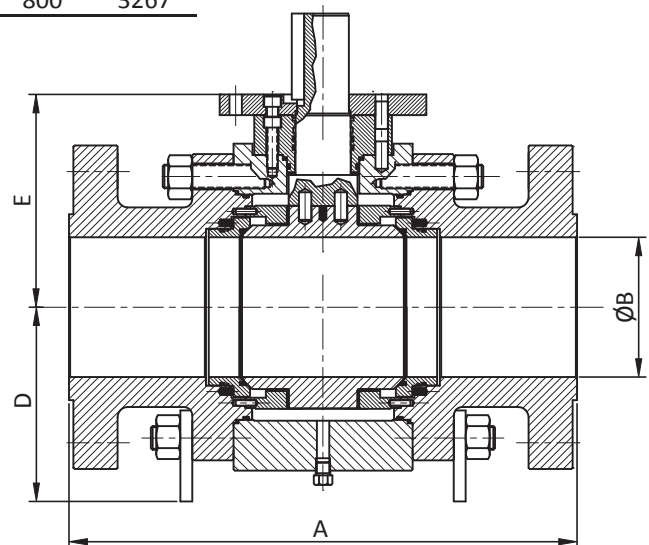
ASME Class 2500 dimensional data, mm

Size inches	A			ØB	D	E	F	Weight kg
	RF	BW	RTJ					
2	451	451	454	44	125	170	350	90
3	578	578	584	64	200	250	450	200
4	673	673	683	89	230	290	500	385
6	914	914	927	133	250	340	600	778
8	1022	1022	1038	181	340	470	600	1352
10	1270	1270	1292	225	425	490	800	2137
12	1422	1422	1445	267	480	615	800	3267

2 inches lever operated.

Dimensional data of greater sizes available upon request.

Product range up to 16".



Bolted body and
Fully welded body design available

Trunnion mounted



Side entry, forged steel, Reduced bore

ASME Class 150

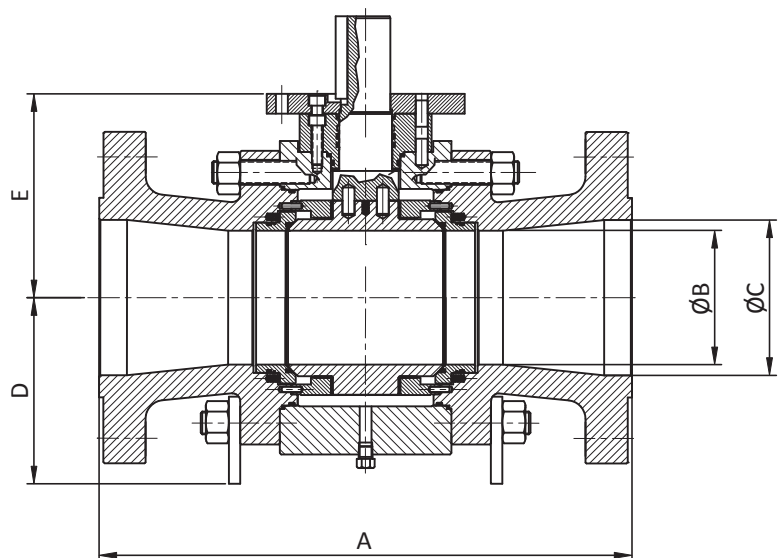
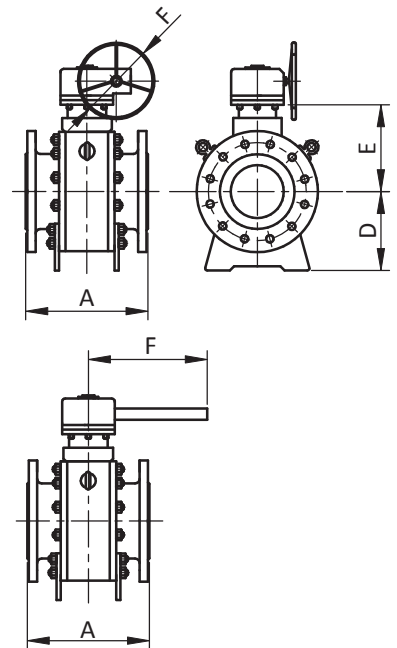
Dimensional data, mm

Size inches	A			ØB	ØC	D	E	F	Weight kg
	RF	BW	RTJ						
3×2	203	283	216	51	76	120	160	410	32
4×3	229	305	241	76	102	186	185	510	62
6×4	394	457	406	102	152	250	235	700	105
8×6	457	521	470	152	203	280	325	700	190
10×8	533	559	546	203	254	345	282	600	286
12×10	610	635	622	254	305	365	321	600	487
14×12	686	762	699	305	337	418	357	600	644
16×14	762	838	775	337	387	430	394	600	940
18×16	864	914	876	387	438	500	443	600	1160
20×18	914	991	927	438	489	573	490	600	1542
24×20	1067	1143	1080	489	591	607	506	800	2292
26×22	1143	1245	—	540	635	640	550	800	3260
28×24	1245	1346	—	591	686	685	604	900	3682
30×26	1295	1397	—	635	737	722	637	900	4977
32×28	1372	1524	—	686	781	780	680	900	6150
34×30	1473	1626	—	737	832	812	720	Motor	7600
36×32	1524	1727	—	781	876	850	766	Motor	8960

8×6 inches and smaller lever operated.

Dimensional data of greater sizes upon request.

Product range up to 60" ×56".



Bolted body and
Fully welded body design available

Trunnion mounted

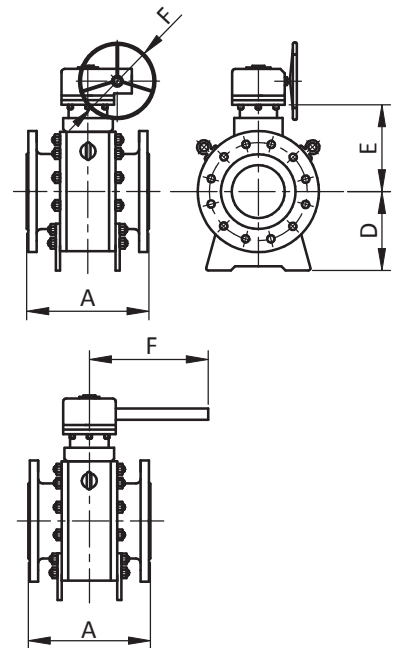


Side entry, forged steel, Reduced bore

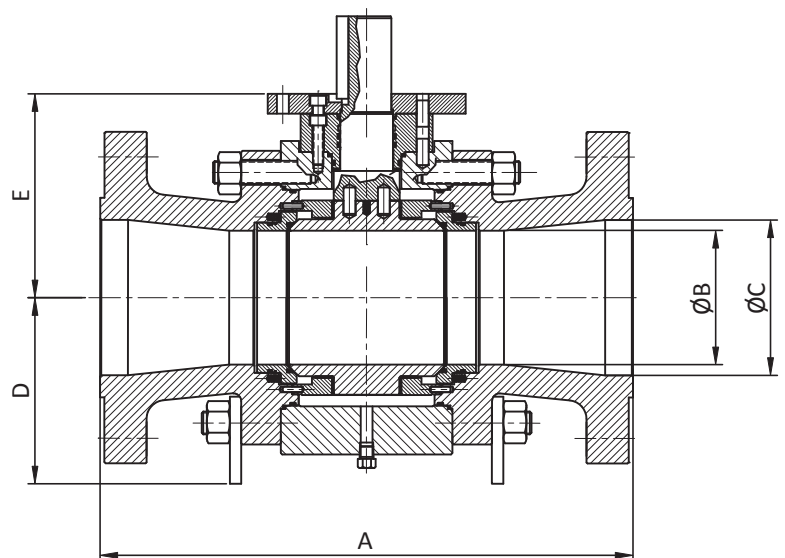
ASME Class 300

Dimensional data, mm

Size inches	A			ØB	ØC	D	E	F	Weight kg
	RF	BW	RTJ						
3×2	283	283	298	51	76	120	160	410	34
4×3	305	305	321	76	102	186	185	510	65
6×4	403	457	419	102	152	250	235	700	118
8×6	502	521	518	152	203	300	325	700	222
10×8	568	559	584	203	254	345	287	600	297
12×10	648	635	664	254	305	405	321	600	585
14×12	762	762	778	305	337	438	365	600	843
16×14	838	838	854	337	387	475	405	600	1211
18×16	914	914	930	387	438	520	443	600	1534
20×18	991	991	1010	438	489	573	510	600	1929
22×20	1092	1092	1114	489	540	592	560	800	2410
24×20	1143	1143	1165	489	591	607	560	800	2580
26×22	1245	1245	1270	540	635	640	581	900	3162
28×24	1346	1346	1372	591	686	685	604	900	3777
30×26	1397	1397	1422	635	737	722	637	900	5070
32×28	1524	1524	1553	686	781	780	680	900	6165
34×30	1626	1626	1654	737	832	812	720	Motor	7725
36×32	1727	1727	1756	781	876	850	766	Motor	9025



8×6 inches and smaller lever operated.
Dimensional data of greater sizes upon request.
Product range up to 60" ×56".



Bolted body and
Fully welded body design available

Trunnion mounted



Side entry, forged steel, Reduced bore

ASME Class 600

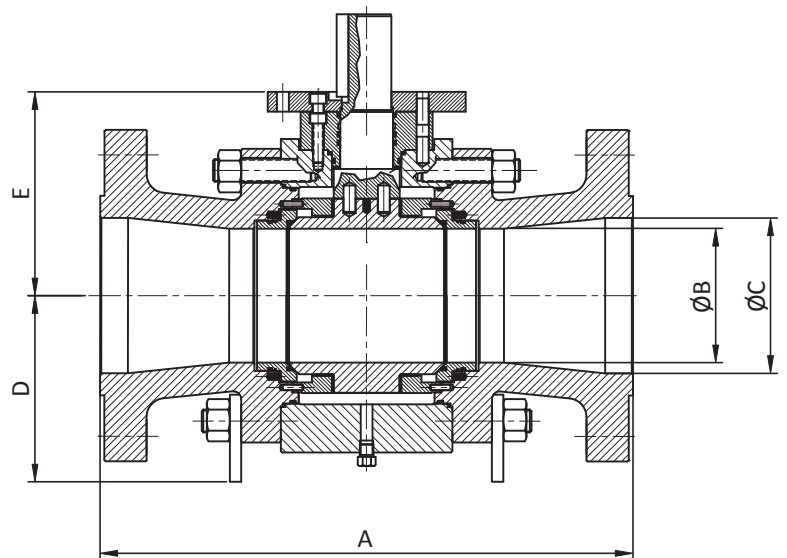
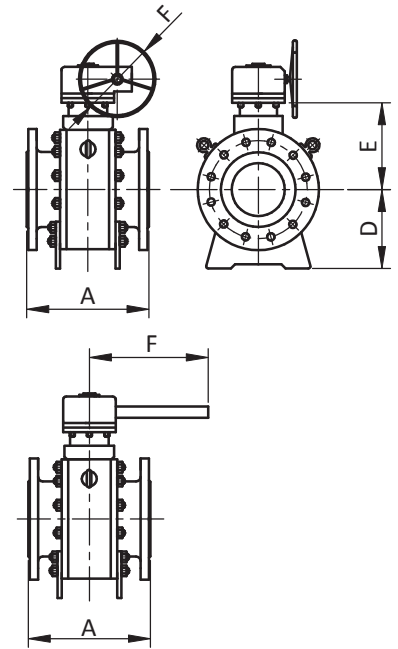
Dimensional data, mm

Size inches	A			ØB	ØC	D	E	F	Weight kg
	RF	BW	RTJ						
3×2	356	356	359	51	76	120	185	410	40
4×3	432	432	435	76	102	186	220	510	80
6×4	559	559	562	102	152	250	280	700	153
8×6	660	660	664	152	203	300	360	500	290
10×8	787	787	791	203	254	345	390	600	547
12×10	838	838	841	254	305	405	450	600	817
14×12	889	889	892	305	337	438	500	600	1000
16×14	991	991	994	337	387	475	500	600	1441
18×16	1092	1092	1095	387	438	520	550	600	1774
20×18	1194	1194	1200	438	489	540	590	600	2361
22×20	1295	1295	1305	489	540	581	610	800	2928
24×20	1397	1397	1407	489	591	622	610	800	3072
26×22	1448	1448	1461	540	635	662	613	900	3782
28×24	1549	1549	1562	591	686	701	616	900	4495
30×26	1651	1651	1664	635	737	750	654	900	5855
32×28	1778	1778	1794	686	781	815	691	900	7340
34×30	1930	1930	1946	737	832	854	740	Motor	8675
36×32	2083	2083	2099	781	876	892	781	Motor	9950

6×4 inches and smaller lever operated.

Dimensional data of greater sizes upon request.

Product range up to 56" ×52".



Bolted body and
Fully welded body design available

Trunnion mounted



Side entry, forged steel, Reduced bore

ASME Class 900

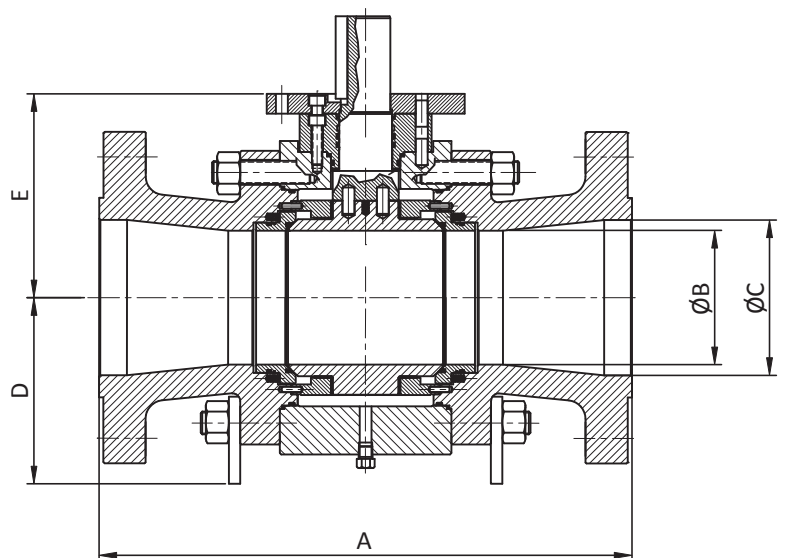
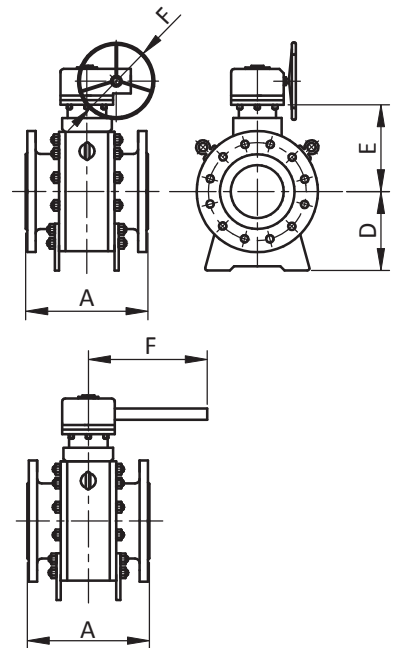
Dimensional data, mm

Size inches	A			ØB	ØC	D	E	F	Weight kg
	RF	BW	RTJ						
3×2	381	381	384	51	76	120	185	410	59
4×3	457	457	460	76	102	150	255	510	97
6×4	610	610	613	102	152	251	285	600	249
8×6	737	737	740	152	203	280	370	600	447
10×8	838	838	841	203	254	340	400	600	700
12×10	965	965	968	254	305	390	450	800	1179
14×12	1029	1029	1038	305	324	442	500	800	1356
16×14	1130	1130	1140	324	375	490	520	800	1948
18×16	1219	1219	1232	375	425	500	550	800	2390
20×18	1321	1321	1334	425	473	500	600	800	3550
24×20	1549	1549	1568	473	572	630	630	800	5535

4×3 inches and smaller lever operated.

Dimensional data of greater sizes upon request.

Product range up to 56" × 52".



Bolted body and
Fully welded body design available

Trunnion mounted



Side entry, forged steel, Reduced bore

ASME Class 1500/2500

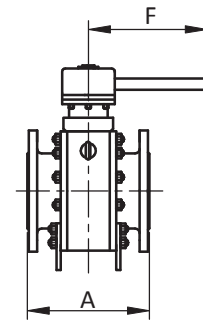
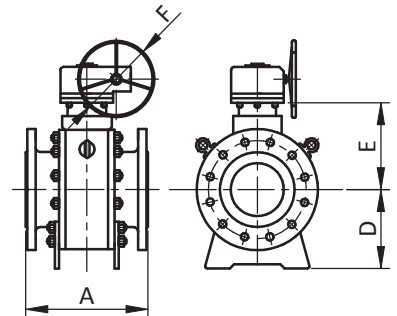
ASME Class 1500 dimensional data, mm

Size inches	A			ØB	ØC	D	E	F	Weight kg
	RF	BW	RTJ						
3×2	470	470	473	51	76	120	185	410	66
4×3	546	546	549	76	102	150	255	510	126
6×4	705	705	711	102	146	270	285	600	290
8×6	832	832	841	146	194	300	460	600	575
10×8	991	991	1000	194	241	360	520	600	1032
12×10	1130	1130	1146	241	289	410	640	800	1571
14×12	1257	1257	1276	289	318	460	720	800	2516
16×14	1384	1384	1407	318	362	510	760	800	3465

4×3 inches and smaller lever operated.

Dimensional data of greater sizes upon request.

Product range up to 30" ×26".



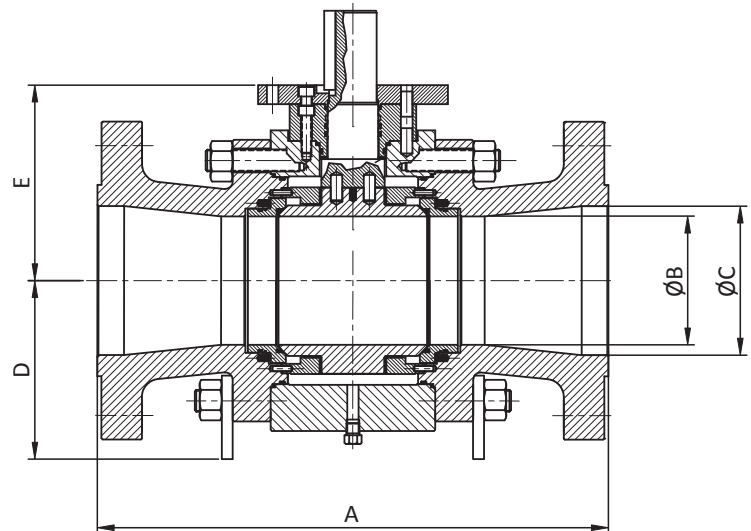
ASME Class 2500 dimensional data, mm

Size inches	A			ØB	ØC	D	E	F	Weight kg
	RF	BW	RTJ						
3×2	578	578	584	44	64	200	170	350	158
4×3	673	673	683	64	89	230	250	450	270
6×4	914	914	927	89	133	250	290	500	517
8×6	1022	1022	1038	133	181	340	340	600	1098
10×8	1270	1270	1292	181	225	425	470	600	1667
12×10	1422	1422	1445	225	267	480	490	800	2917

3×2 inches lever operated.

Dimensional data of greater sizes upon request.

Product range up to 16" ×14".



Bolted body and
Fully welded body design available