

# Top Entry Trunnion



cast steel, Full bore

ASME Class 150/300

## ASME Class 150 dimensional data, mm

Size inches	A			ØB	D	E	F	Weight kg
	RF	RTJ	BW					
2	292	295	292	51	110	185	410	28
3	356	359	356	76	110	220	500	56
4	432	435	432	102	140	254	500	98
6	559	562	559	152	240	360	500	203
8	660	663	660	203	270	390	600	390
10	787	790	787	254	330	450	600	420
12	838	841	838	305	380	500	600	562
14	889	892	889	337	432	500	600	745
16	991	994	991	387	475	550	600	1090

6 inches and smaller lever operated.

Dimensional data of greater sizes upon request.

Product range up to 48".

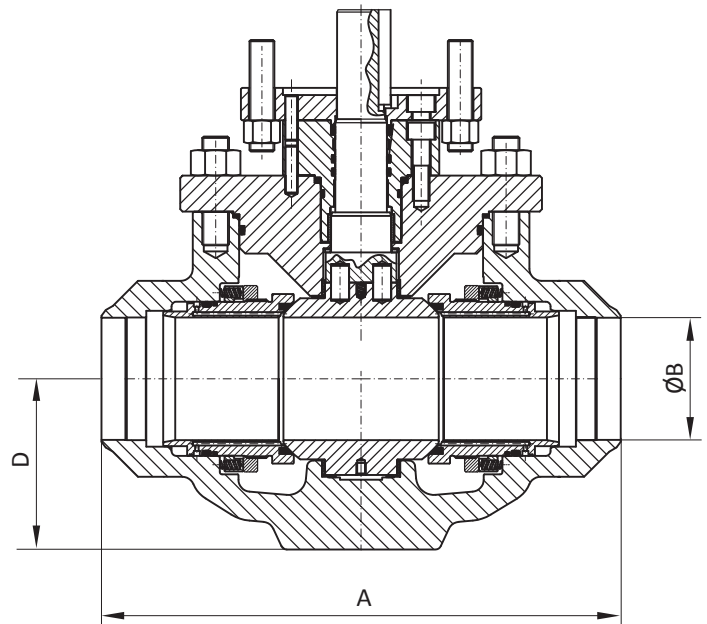
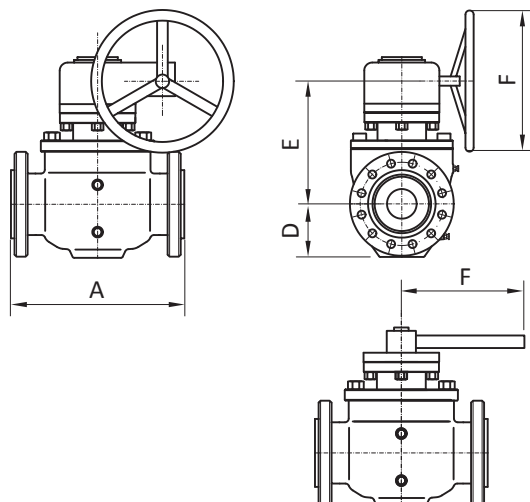
## ASME Class 300 dimensional data, mm

Size inches	A			ØB	D	E	F	Weight kg
	RF	RTJ	BW					
2	292	295	292	51	110	185	410	30
3	356	359	356	76	110	220	500	61
4	432	435	432	102	140	254	500	122
6	559	562	559	152	240	360	500	240
8	660	663	660	203	270	390	600	462
10	787	790	787	254	330	450	600	505
12	838	841	838	305	380	500	600	650
14	889	892	889	337	432	500	600	862
16	991	994	991	387	475	550	600	1280

6 inches and smaller lever operated.

Dimensional data of greater sizes upon request.

Product range up to 48".



# Top Entry Trunnion



cast steel, Full bore

ASME Class 600/900

## ASME Class 150 dimensional data, mm

Size inches	A			ØB	D	E	F	Weight kg
	RF	RTJ	BW					
2	292	295	292	51	110	185	410	38
3	356	359	356	76	110	220	500	56
4	432	435	432	102	140	254	500	124
6	559	562	559	152	240	360	500	203
8	660	663	660	203	270	390	600	380
10	787	790	787	254	330	450	600	420
12	838	841	838	305	380	500	600	960
14	889	892	889	337	432	500	600	745
16	991	994	991	387	475	550	600	1090

4 inches and smaller lever operated.

Dimensional data of greater sizes upon request.

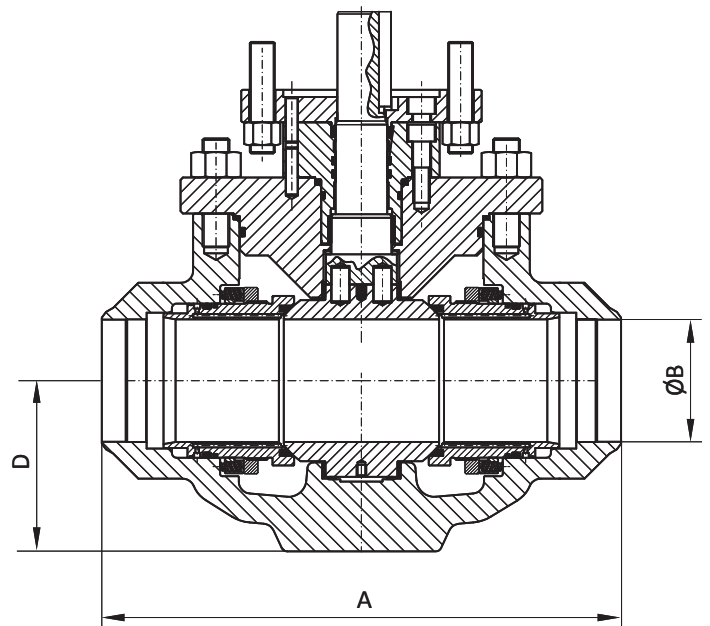
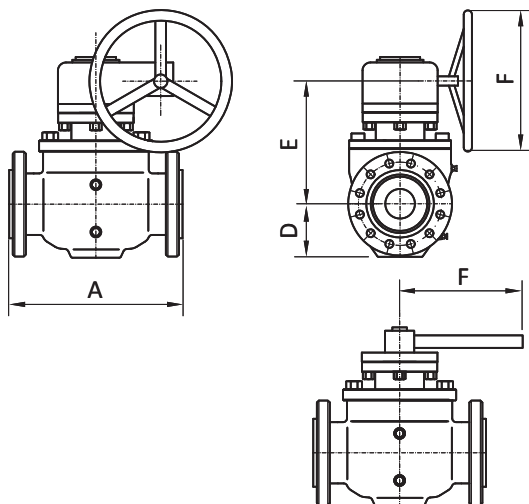
Product range up to 48".

## ASME Class 900 dimensional data, mm

Size inches	A			ØB	D	E	F	Weight kg
	RF	RTJ	BW					
2	308	311	308	51	120	185	410	90
3	356	359	356	76	110	220	500	61
4	432	435	432	102	140	283	500	120
6	559	562	559	152	240	360	500	240
8	660	663	660	203	280	490	600	460
10	787	790	787	254	330	450	600	505
12	868	871	868	305	380	500	800	1538
14	889	892	889	337	432	500	600	862
16	991	994	991	387	475	550	600	1280

Dimensional data of greater sizes upon request.

Product range up to 30".



# Top Entry Trunnion



cast steel, Full bore

ASME Class 1500/2500

## ASME Class 1500 dimensional data, mm

Size inches	A			ØB	D	E	F	Weight kg
	RF	RTJ	BW					
2	368	371	368	51	120	185	410	53
3	470	473	470	76	120	255	510	98
4	546	549	546	102	150	285	600	200
6	705	711	705	146	270	460	600	485
8	832	841	832	194	300	520	600	827
10	991	1000	991	241	360	640	800	1507

3 inches and smaller lever operated.

Dimensional data of greater sizes upon request.

Product range up to 24".

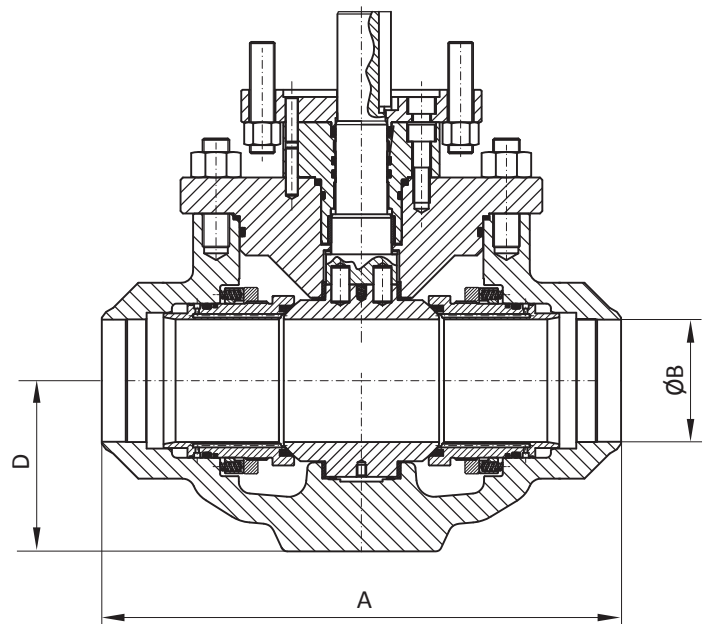
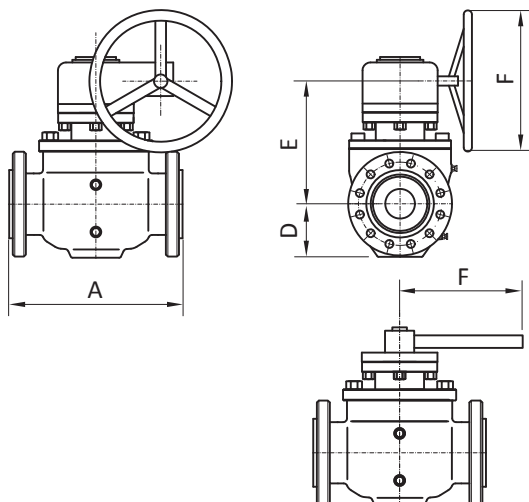
## ASME Class 2500 dimensional data, mm

Size inches	A			ØB	D	E	F	Weight kg
	RF	RTJ	BW					
2	451	454	451	44	125	170	350	90
3	578	584	578	64	200	250	450	200
4	673	683	673	89	230	290	500	385
6	915	927	915	133	250	340	600	778
8	1023	1038	1023	181	340	470	600	1352

2 inches lever operated.

Dimensional data of greater sizes upon request.

Product range up to 12".



# Top Entry Trunnion



cast steel, Reduced bore

ASME Class 150/300

## ASME Class 150 dimensional data, mm

Size inches	A			$\varnothing B$	$\varnothing C$	D	E	F	Weight kg
	RF	RTJ	BW						
3 × 2	356	359	356	51	76	110	185	410	34
4 × 3	432	435	432	76	102	110	220	510	65
6 × 4	559	562	559	102	152	140	254	700	118
8 × 6	660	663	660	152	203	240	400	700	195
10 × 8	787	790	787	203	254	270	460	800	297
12 × 8	838	841	838	203	305	270	460	800	390
14 × 10	889	892	889	254	337	330	580	800	538
16 × 12	991	994	991	305	387	380	650	800	770
18 × 14	1092	1095	1092	337	438	432	700	800	995

8 × 6 inches and smaller lever operated.

Dimensional data of greater sizes upon request.

Product range up to 48" × 44".

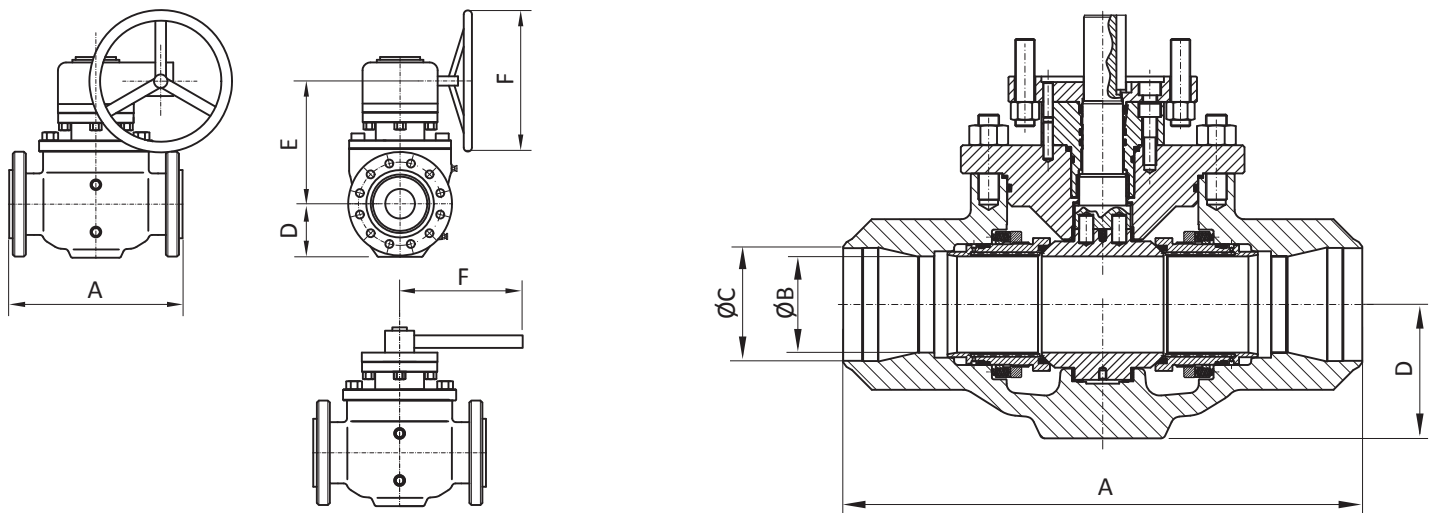
## ASME Class 300 dimensional data, mm

Size inches	A			$\varnothing B$	$\varnothing C$	D	E	F	Weight kg
	RF	RTJ	BW						
3 × 2	356	359	356	51	76	110	185	410	34
4 × 3	432	435	432	76	102	110	220	510	75
6 × 4	559	562	559	102	152	140	254	700	122
8 × 6	660	663	660	152	203	240	400	700	225
10 × 8	787	790	787	203	254	270	460	800	297
12 × 8	838	841	838	203	305	270	460	800	450
14 × 10	889	892	889	254	337	330	580	800	648
16 × 12	991	994	991	305	387	380	650	800	970
18 × 14	1092	1095	1092	337	438	432	700	800	1450

8 × 6 inches and smaller lever operated.

Dimensional data of greater sizes upon request.

Product range up to 48" × 44".



# Top Entry Trunnion



cast steel, Reduced bore

ASME Class 600/900

## ASME Class 600 dimensional data, mm

Size inches	A			ØB	ØC	D	E	F	Weight kg
	RF	RTJ	BW						
3×2	356	359	356	51	76	110	185	410	40
4×3	432	435	432	76	102	110	220	510	90
6×4	559	562	559	102	152	140	254	700	163
8×6	660	663	660	152	203	240	400	700	290
10×8	787	790	787	203	254	270	460	800	547
12×8	838	841	838	203	305	270	460	800	610
14×10	889	892	889	254	337	330	580	800	915
16×12	991	994	991	305	387	380	650	800	1350
18×14	1092	1095	1092	337	438	432	700	800	1450

6×4 inches and smaller lever operated.

Dimensional data of greater sizes upon request.

Product range up to 48" ×44".

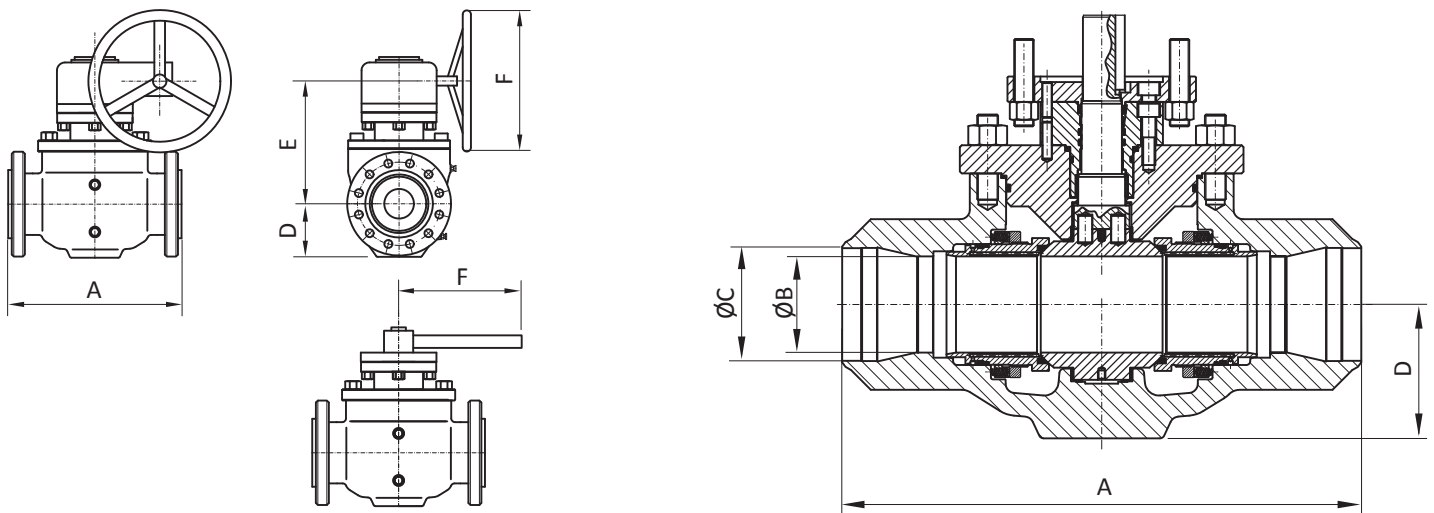
## ASME Class 900 dimensional data, mm

Size inches	A			ØB	ØC	D	E	F	Weight kg
	RF	RTJ	BW						
3×2	381	384	381	51	76	120	185	410	59
4×3	457	461	457	76	102	120	255	510	97
6×4	610	613	610	102	152	150	285	600	249
8×6	737	740	737	152	203	251	430	600	447
10×8	838	842	838	203	254	280	490	600	760
12×8	965	969	965	203	305	280	490	600	930
14×10	1029	1038	1029	254	324	340	610	800	1235
16×12	1131	1140	1131	305	375	390	680	800	1738

4×3 inches and smaller lever operated.

Dimensional data of greater sizes upon request.

Product range up to 30" ×26".



# Top Entry Trunnion



cast steel, Reduced bore

ASME Class 1500/2500

## ASME Class 1500 dimensional data, mm

Size inches	A			ØB	ØC	D	E	F	Weight kg
	RF	RTJ	BW						
3×2	470	473	470	51	76	120	185	410	66
4×3	546	549	546	76	102	120	255	510	126
6×4	705	711	705	102	146	150	285	600	290
8×6	832	841	832	146	194	270	460	600	575
10×8	991	1000	991	194	241	300	520	600	1032
12×8	1130	1146	1130	194	289	300	520	600	1230
14×10	1257	1276	1257	241	318	360	640	800	2152

6×4 inches and smaller lever operated.

Dimensional data of greater sizes upon request.

Product range up to 24" ×20".

## ASME Class 2500 dimensional data, mm

Size inches	A			ØB	ØC	D	E	F	Weight kg
	RF	RTJ	BW						
3×2	578	584	578	44	64	127	170	350	158
4×3	673	683	673	64	89	200	250	450	270
6×4	915	927	915	89	133	230	290	500	517
8×6	1023	1038	1023	133	181	250	340	600	1098
10×8	1270	1292	1270	181	225	340	470	600	1667
12×8	1423	1445	1423	181	267	340	470	600	2567

3×2 inches lever operated.

