

# Gate valves



## Pressure Seal

### ASME Class 600/900

#### ASME Class 600 dimensional data, mm

Size inches	A		D (open)	E (closed)	ØF	Weight kg
	RF	BW				
3	355	254	717	609	254	68
4	431	304	869	762	355	112
6	558	457	1028	863	609	209
8	660	584	1301	1092	711	315
10	787	711	—	1168	711	529
12	838	812	—	1270	711	775
14	889	889	—	1447	711	1210
16	990	990	—	1651	863	1600
18	1092	1092	—	1727	863	1895
20	1193	1193	—	1981	863	2356
24	1397	1397	—	2308	863	4300
26	1447	1447	—	2500	863	4800
28	1549	1549	—	2750	1016	5600
30	1651	1651	—	2840	1016	6350
32	1778	1778	—	3150	1016	7890
36	2082	2082	—	3400	1016	9112

8 inches and smaller manually operated

Weights of raised flange valve style

Dimensional data of greater sizes available upon request

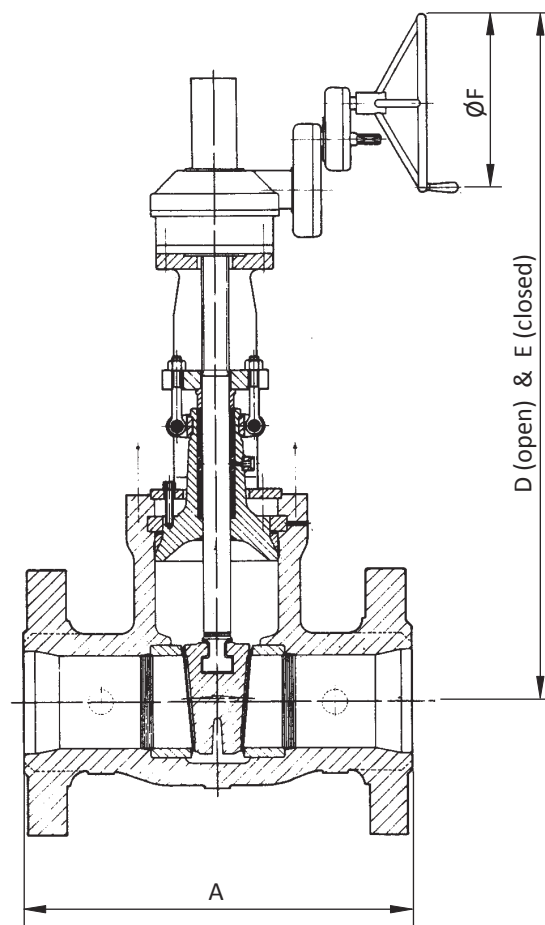
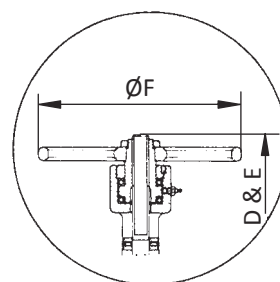
#### ASME Class 900 dimensional data, mm

Size inches	A		D (open)	E (closed)	ØF	Weight kg
	RF	BW				
3	381	304	660	584	355	95
4	457	355	825	711	457	130
6	609	508	1016	863	609	280
8	736	660	—	1016	711	460
10	838	787	—	1181	711	820
12	965	914	—	1320	863	1150
14	1028	990	—	1568	863	1500
16	1130	1092	—	2159	863	2100
18	1219	1219	—	2381	863	2750
20	1320	1320	—	2451	1016	3400
24	1549	1549	—	2971	1016	4400
26	1574	1574	—	3352	1016	5500
28	1663	1663	—	3695	1016	6900
30	1778	1778	—	4000	1016	9000
32	1854	1854	—	4165	1016	11000
36	2032	2032	—	4597	1016	13500

6 inches and smaller manually operated

Weights of raised flange valve style

Dimensional data of greater sizes available upon request



# Gate valves



## Pressure Seal

### ASME Class 1500/2500

#### ASME Class 1500 dimensional data, mm

Size inches	A		D (open)	E (closed)	ØF	Weight kg
	RF	BW				
3	469	304	736	660	355	110
4	546	406	831	736	457	180
6	704	558	—	914	609	370
8	831	711	—	1244	711	610
10	990	863	—	1485	863	1300
12	1130	990	—	1905	863	2000
14	1257	1066	—	1981	863	2900
16	1384	1193	—	2108	863	3490
18	1536	1346	—	2209	863	4000
20	1663	1473	—	2387	1016	4800
24	1943	1943	—	2794	1016	7500
26	2032	2032	—	3098	1016	8900
28	2209	2209	—	3403	1016	10000
30	2286	2286	—	3746	1016	13500
32	2413	2413	—	—	1016	16000
36	2565	2565	—	—	1016	18900

4 inches and smaller manually operated

Weights of raised flange valve style

Dimensional data of greater sizes available upon request

#### ASME Class 2500 dimensional data, mm

Size inches	A	D	E	ØF	Weight kg
	BW	(open)	(closed)		
3	368	654	596	457	135
4	457	781	698	609	215
6	609	—	876	609	550
8	762	—	1493	609	900
10	914	—	1600	863	1600
12	1041	—	1752	863	2300
14	1117	—	1879	1016	3200
16	1244	—	1981	1016	4100
18	1397	—	2108	1016	5200
20	1397	—	2311	1016	6800
24	1625	—	—	—	9500
26	1778	—	—	—	11000
28	1905	—	—	—	13100
30	2032	—	—	—	17200
32	2184	—	—	—	19300
36	2413	—	—	—	25000

4 inches and smaller manually operated

Dimensional data of greater sizes available upon request

