

Swing Check valves



Pressure Seal

ASME Class 600/900

ASME Class 600 dimensional data, mm

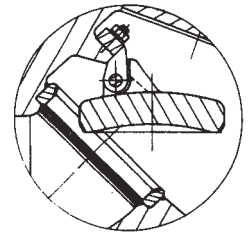
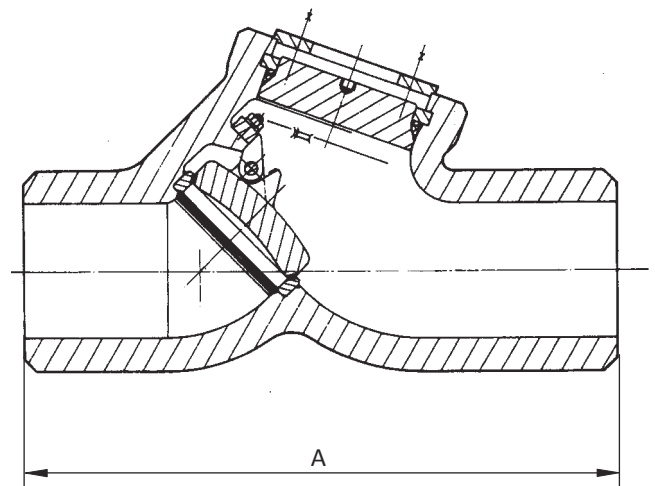
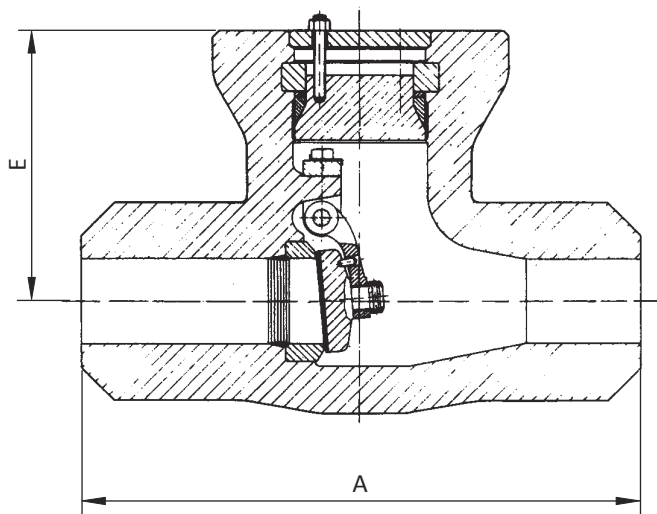
Size inches	A		Weight kg
	BW	E	
3	254	254	48
4	304	279	67
6	457	381	110
8	584	533	205
10	711	558	325
12	812	609	480
14	889	736	600
16	990	762	800
18	1092	863	1490
20	1193	939	1675
24	1397	1066	2300
26	1447	1143	2710
28	1600	1193	3125
30	1651	1270	3710
36	2082	1473	5800

Dimensional data of greater sizes
available upon request

ASME Class 900 dimensional data, mm

Size inches	A			Weight kg
	RF	BW	E	
3	381	304	254	90
4	457	355	279	100
6	609	508	368	245
8	736	660	393	425
10	838	787	457	675
12	965	914	584	900
14	1028	990	609	1125
16	1130	1092	685	1600
18	1219	1181	736	2000
20	1320	1244	762	2700
24	1549	1422	889	4100
26	1701	1524	1016	5100
28	1828	1625	1066	5750
30	2032	1727	1668	6510

Dimensional data of greater sizes
available upon request



Swing Check valves



Pressure Seal

ASME Class 1500/2500

ASME Class 1500 dimensional data, mm

Size inches	A		Weight kg
	BW	E	
3	304	254	70
4	406	279	115
6	558	368	250
8	711	482	470
10	863	584	800
12	990	584	1350
14	1066	660	1800
16	1193	685	2200
18	1346	762	2600
20	1473	838	3400
24	1752	965	3950
26	1854	1014	5600
28	1956	1130	6900
30	2057	1181	9000

Dimensional data of greater sizes available upon request

ASME Class 2500 dimensional data, mm

Size inches	A		Weight kg
	BW	E	
3	368	254	120
4	457	279	220
6	609	368	540
8	762	533	920
10	914	635	1629
12	1041	685	2296
14	1117	736	3000
16	1244	787	3776
18	1397	812	4692
20	1397	863	5500
24	1524	1016	7000
26	1778	1117	8500
28	1905	1168	10000
30	2032	1320	13000

Dimensional data of greater sizes available upon request

