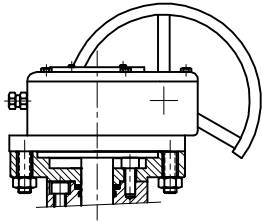


Fully Welded

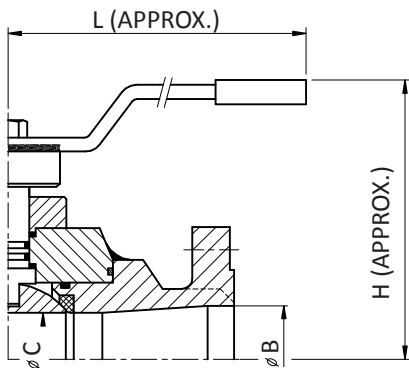


Floating Ball valve

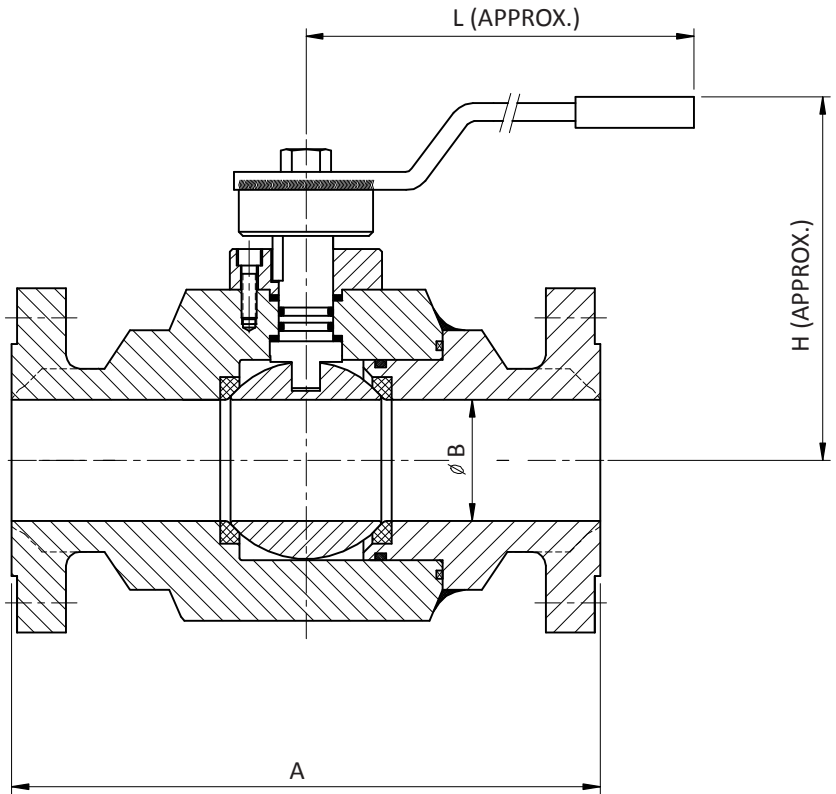
ASME Class 150



ELECTRICAL AND PNEUMATIC
OPERATION UPON REQUEST



REDUCED BORE



ASME Class 150 dimensional data, mm

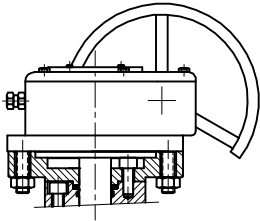
Size inches	BW	RF	RTJ	B	C	H	H1	L	Weight
1/2	140	108	-	11	-	73	-	150	3,6
3/4	152.5	117	-	20	11	75	73	180	5,5
1	165	127	140	25	20	78	75	180	6,5
1 1/2	190.5	165	178	38	25	100	78	280	13,5
2	216	178	190.5	51	38	136	100	280	22
3	283	203	216	76	51	165	136	380	36
4	305	229	241	102	76	195	165	480	69
6	457	394	406	152	102	250	195	480	120
8	521	457	470	203	152	280	250	GEAR	175

Fully Welded

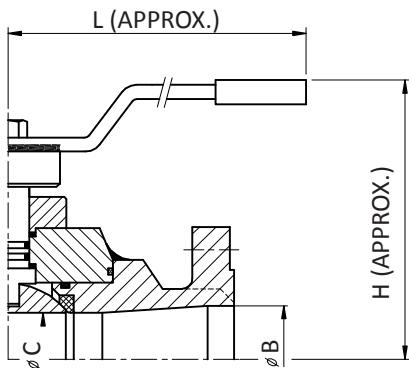


Floating Ball valve

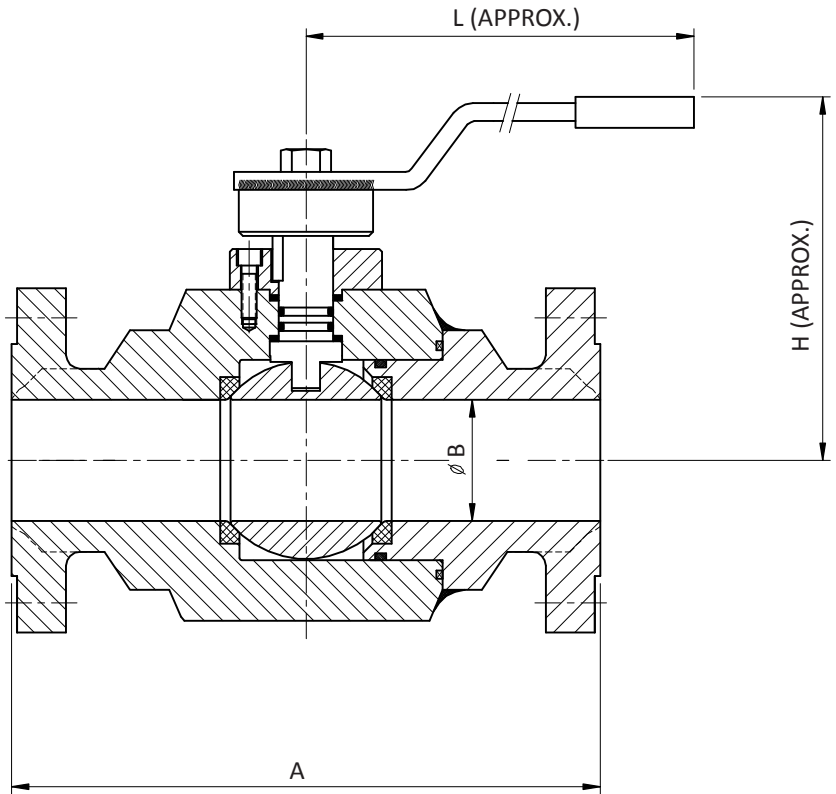
ASME Class 300



ELECTRICAL AND PNEUMATIC
OPERATION UPON REQUEST



REDUCED BORE



ASME Class 300 dimensional data, mm

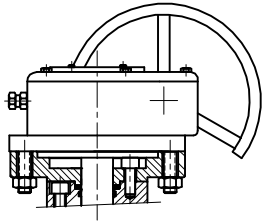
Size inches	BW	RF	RTJ	B	C	H	H1	L	Weight
1/2	140	140	151	11	-	73	-	150	7
3/4	152.5	152.5	165	20	11	75	73	180	9
1	165	165	178	25	20	78	75	180	11,5
1 1/2	190.5	190.5	203	38	25	100	78	280	19,5
2	216	216	231	51	38	136	100	280	29
3	283	283	298	76	51	165	136	380	45
4	305	305	320	102	76	195	165	480	81
6	457	403	419	152	102	250	195	GEAR	170

Fully Welded

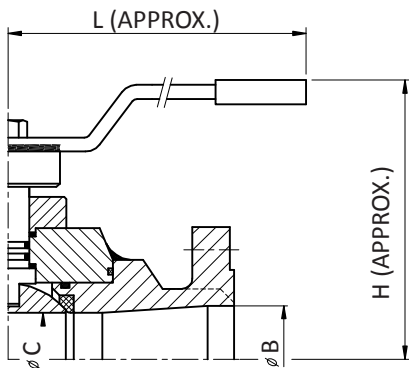


Floating Ball valve

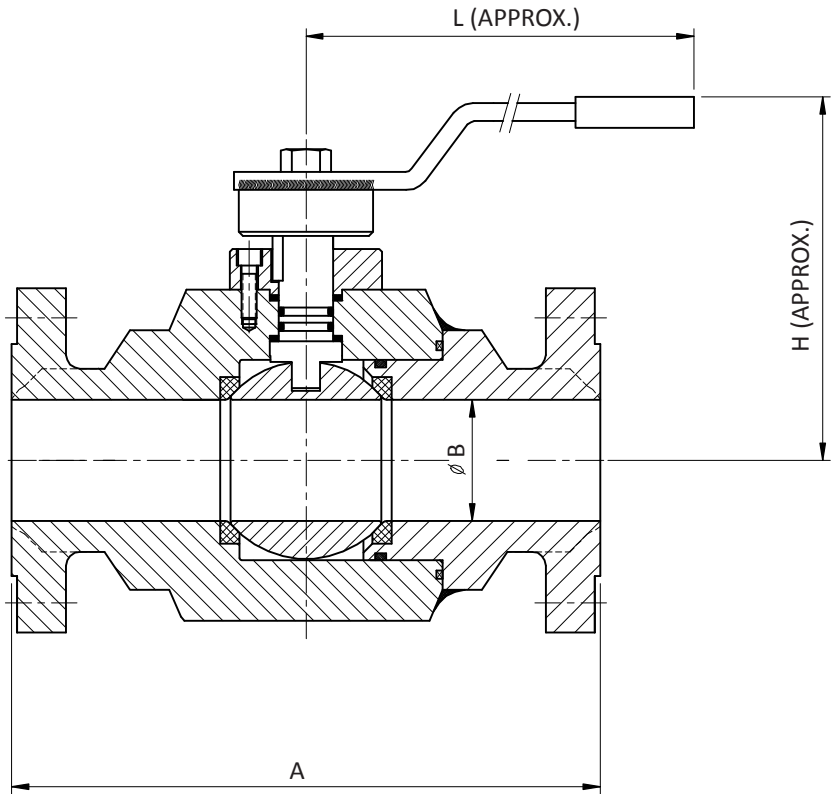
ASME Class 600



ELECTRICAL AND PNEUMATIC
OPERATION UPON REQUEST



REDUCED BORE



ASME Class 600 dimensional data, mm

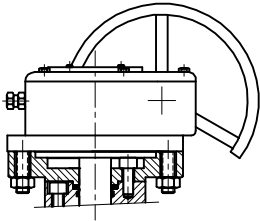
Size inches	BW	RF	RTJ	B	C	H	H1	L	Weight
1/2	165	165	163.5	11	-	73	-	150	10
3/4	190.5	190.5	190.5	20	11	75	73	180	12
1	216	216	216	25	20	78	75	180	15
1 1/2	241	241	241	38	25	100	78	280	25
2	292	292	295	51	38	136	100	280	40
3	355	355	358	76	51	165	136	380	60
4	432	432	435	102	76	195	165	GEAR	100

Fully Welded

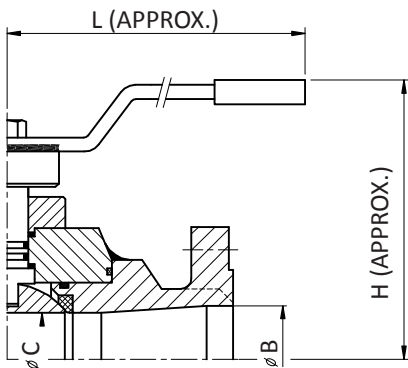


Floating Ball valve

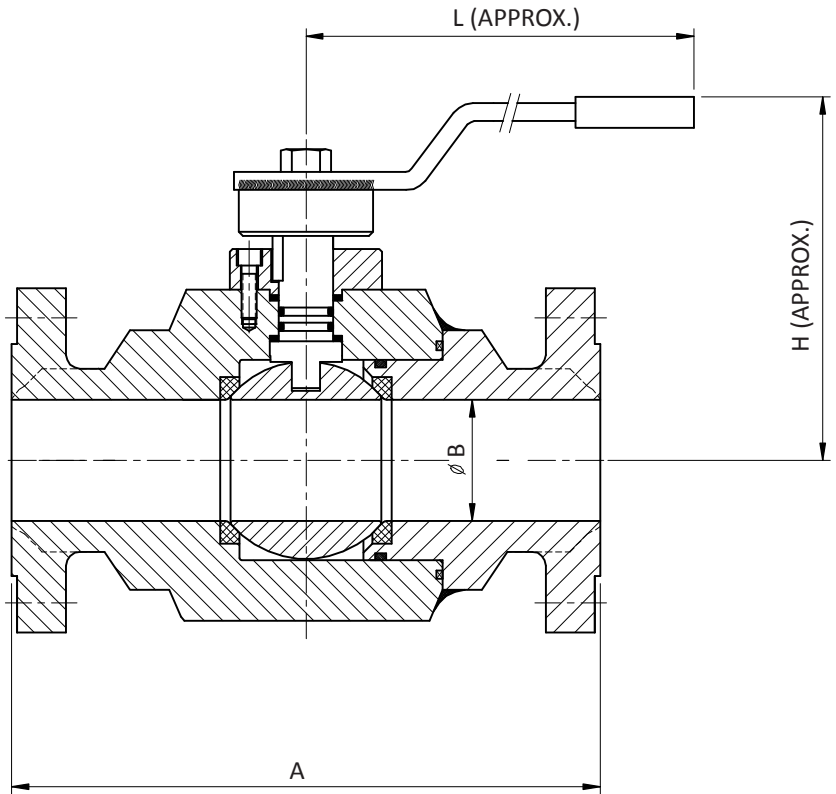
ASME Class 900



ELECTRICAL AND PNEUMATIC
OPERATION UPON REQUEST



REDUCED BORE



ASME Class 900 dimensional data, mm

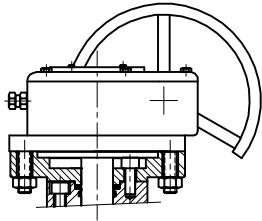
Size	BW	RF	RTJ	B	C	H	H1	L	Weight
1/2	216	216	216	11	-	73	-	150	10
3/4	229	229	229	20	11	75	73	180	15
1	254	254	254	25	20	78	75	180	18
1 1/2	305	305	305	38	25	100	78	280	30
2	368	368	371	51	38	136	100	280	45
3	381	381	384	76	51	165	136	GEAR	70

Fully Welded

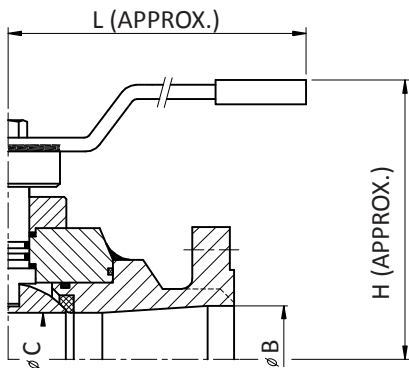


Floating Ball valve

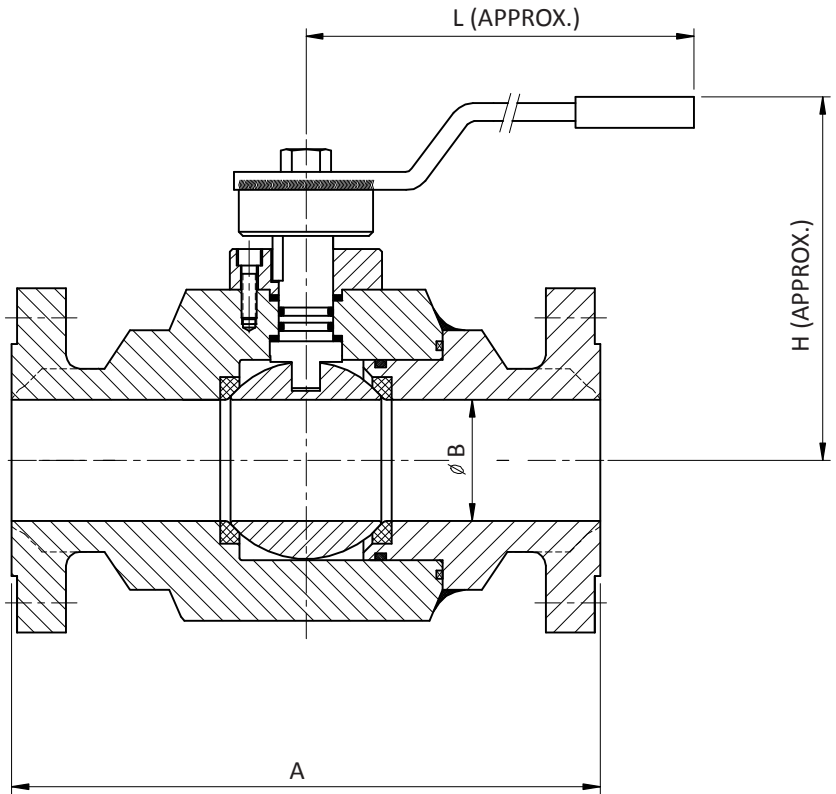
ASME Class 1500



ELECTRICAL AND PNEUMATIC
OPERATION UPON REQUEST



REDUCED BORE



ASME Class 1500 dimensional data, mm

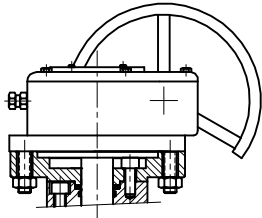
Size inches	BW	RF	RTJ	B	C	H	H1	L	Weight
1/2	216	216	216	11	-	73	-	150	12
3/4	229	229	229	20	11	75	73	180	17
1	254	254	254	25	20	78	75	180	20
1 1/2	305	305	305	38	25	100	78	280	35
2	368	368	371	51	38	136	100	280	50
3	381	381	384	76	51	165	136	GEAR	75

Fully Welded

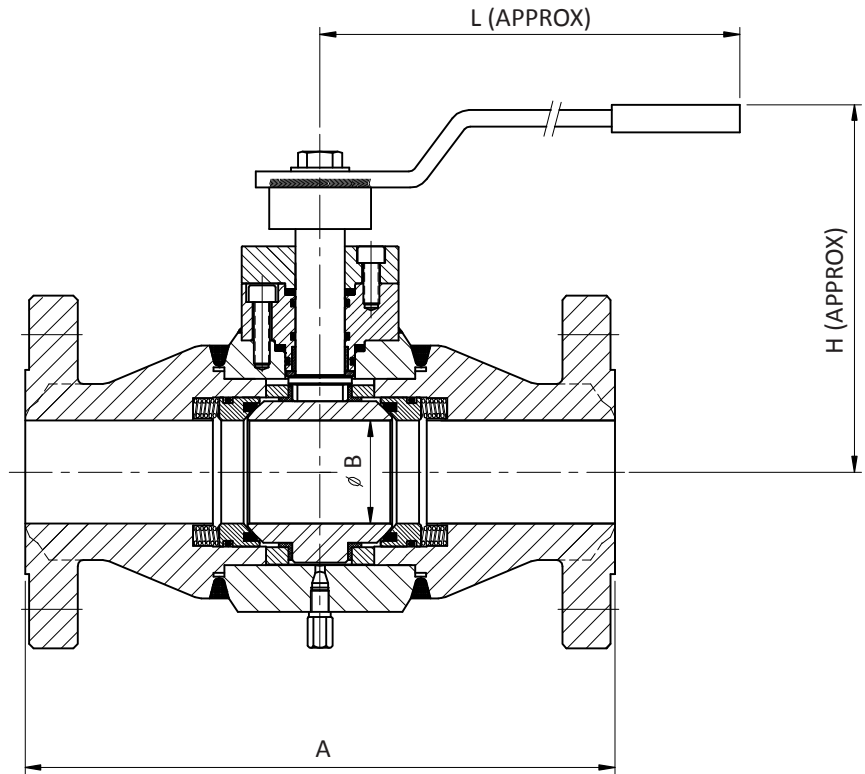
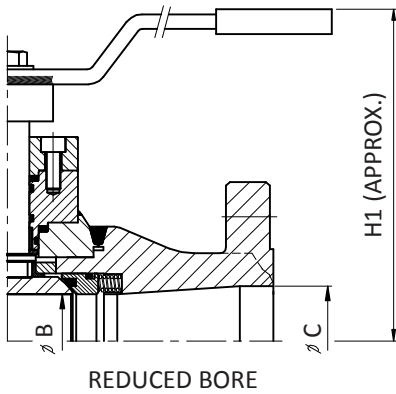


Trunnion Ball valve

ASME Class 150



ELECTRICAL AND PNEUMATIC OPERATION UPON REQUEST



ASME Class 150 dimensional data, mm

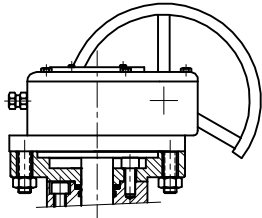
Size inches									WEIGHT	
	BW	RF	RTJ	B	C	H	H1	L	Full B.	Red. B.
2	216	178	190	51	-	125	-	280	25	-
3	283	203	216	76	51	150	125	380	33	29
4	305	229	241	102	76	190	150	480	48	38
6	457	394	406	152	102	240	190	480	143	86
8	521	457	470	203	152	425	240	600	185	171
10	559	533	546	254	203	550	425	600	370	304
12	635	610	622	305	254	690	550	GEAR	522	442
14	762	686	698	337	305	775	690	GEAR	741	589
16	838	762	775	387	337	830	775	GEAR	960	808
18	914	864	876	438	387	900	830	GEAR	1180	1036
20	991	914	927	489	438	990	900	GEAR	1710	1255
24	1143	1067	1079	590	489	1070	990	GEAR	2955	1957
26	1245	1143	-	635	590	1170	1070	GEAR	3325	3105
28	1346	1245	-	686	635	1225	1170	GEAR	3753	3467
30	1397	1295	-	737	686	1290	1225	GEAR	4150	3895
32	1524	1372	-	781	737	1350	1290	GEAR	4560	4322
34	1626	1473	-	832	781	1430	1350	GEAR	5080	4750
36	1727	1524	-	876	832	1490	1430	GEAR	6000	5350
40	1930	1727	-	978	876	1590	1490	GEAR	6850	5900
42	2134	1930	-	1022	978	1660	1590	GEAR	7500	6450

Fully Welded

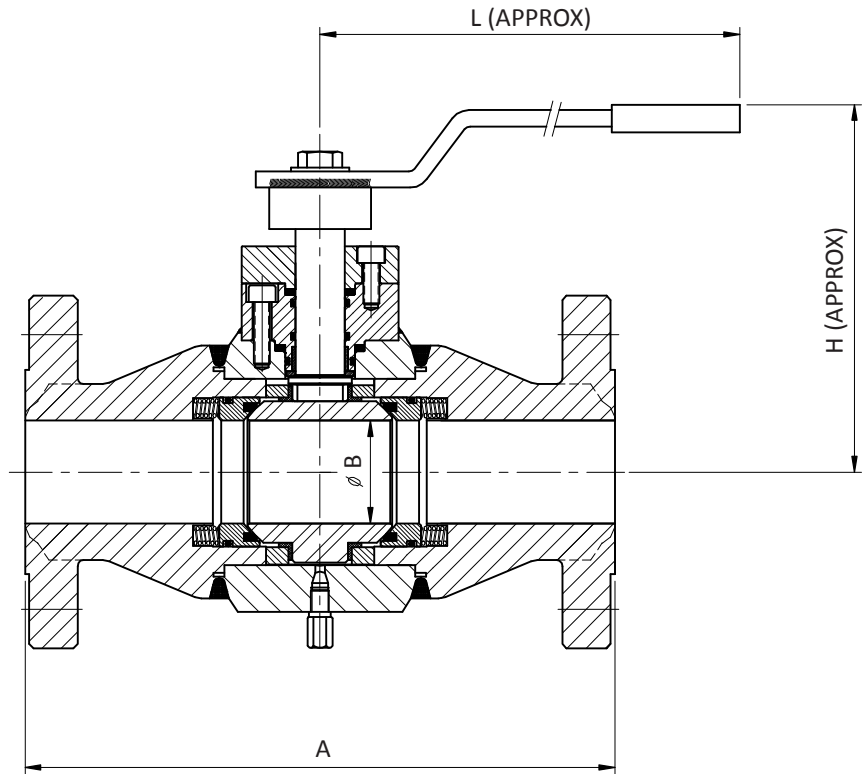
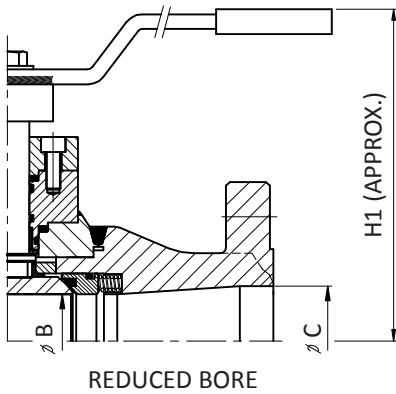


Trunnion Ball valve

ASME Class 300



ELECTRICAL AND PNEUMATIC OPERATION UPON REQUEST



ASME Class 300 dimensional data, mm

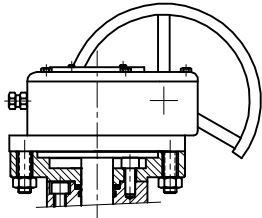
Size inches	BW	RF	RTJ	B	C	H	H1	L	WEIGHT	
									Full B.	Red. B.
2	216	216	232	51	-	125	-	280	29	-
3	283	283	298	76	51	150	125	380	40	34
4	305	305	321	102	76	190	150	480	60	49
6	457	403	419	152	102	240	190	480	160	98
8	521	502	517	203	152	425	240	GEAR	230	215
10	559	568	584	254	203	550	425	GEAR	481	390
12	635	648	664	305	254	690	550	GEAR	680	570
14	762	762	778	337	305	775	690	GEAR	960	765
16	838	838	854	387	337	830	775	GEAR	1250	1050
18	914	914	930	438	387	900	830	GEAR	1550	1340
20	991	991	1010	489	438	990	900	GEAR	2200	1630
24	1143	1143	1165	590	489	1070	990	GEAR	3500	2540
26	1245	1245	-	635	590	1170	1170	GEAR	3990	3650
28	1346	1346	-	686	635	1225	1170	GEAR	4500	4100
30	1397	1397	-	737	686	1290	1225	GEAR	4900	4600
32	1524	1524	-	781	737	1350	1290	GEAR	5470	5175
34	1626	1626	-	832	781	1430	1350	GEAR	6090	5700
36	1727	1727	-	876	832	1490	1430	GEAR	7200	6400
40	1905	1905	-	978	876	1590	1490	GEAR	8200	7000
42	1930	1930	-	1022	978	1660	1590	GEAR	9000	7740

Fully Welded

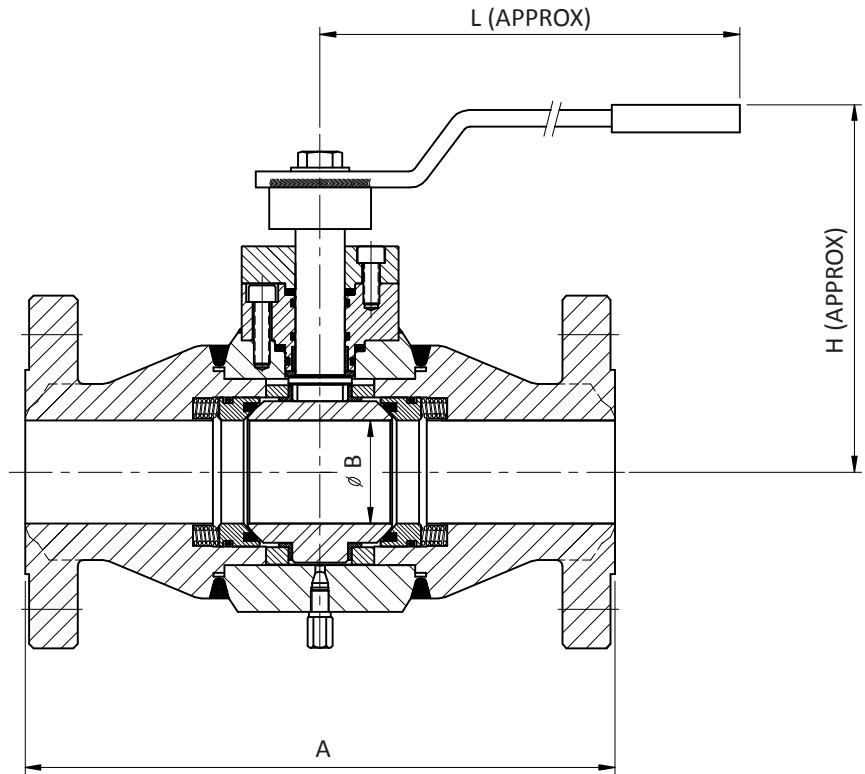
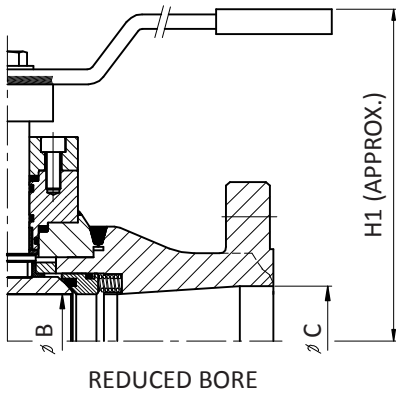


Trunnion Ball valve

ASME Class 600



ELECTRICAL AND PNEUMATIC OPERATION UPON REQUEST



ASME Class 600 dimensional data, mm

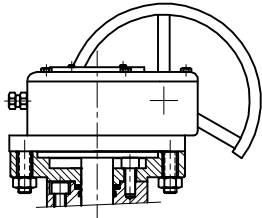
Size inches										WEIGHT	
	BW	RF	RTJ	B	C	H	H1	L	Full B.	Red. B.	
2	292	292	295	51	-	150	-	280	31	-	
3	356	356	359	76	51	180	150	380	43	36	
4	432	432	435	102	76	205	180	480	90	65	
6	559	559	562	152	102	475	205	480	270	145	
8	660	660	664	203	152	595	475	GEAR	450	290	
10	787	787	791	254	203	790	595	GEAR	720	500	
12	838	838	841	305	254	825	790	GEAR	1000	760	
14	889	889	892	337	305	890	825	GEAR	1080	890	
16	991	991	994	387	337	960	890	GEAR	1515	1300	
18	1092	1092	1095	438	387	1010	960	GEAR	1990	1700	
20	1194	1194	1200	489	438	1075	1010	GEAR	2620	2200	
24	1397	1397	1406	590	489	1190	1075	GEAR	4650	3600	
26	1448	1448	-	635	590	1245	1190	GEAR	5080	4200	
28	1549	1549	-	686	635	1295	1245	GEAR	6000	5100	
30	1651	1651	-	737	686	1360	1295	GEAR	6850	5800	
32	1778	1778	-	781	737	1415	1360	GEAR	7800	6850	
34	1930	1930	-	832	781	1510	1415	GEAR	8700	7650	
36	2083	2083	-	876	832	1550	1510	GEAR	10800	8400	
40	2337	2337	-	978	876	1620	1550	GEAR	13900	9900	
42	2388	2388	-	1022	978	1675	1620	GEAR	15400	11200	

Fully Welded

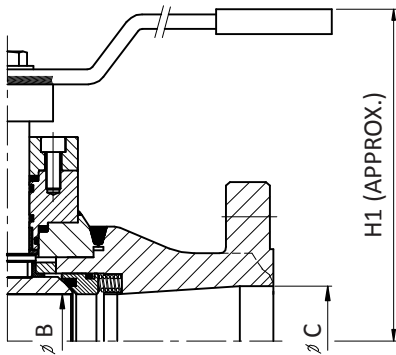


Trunnion Ball valve

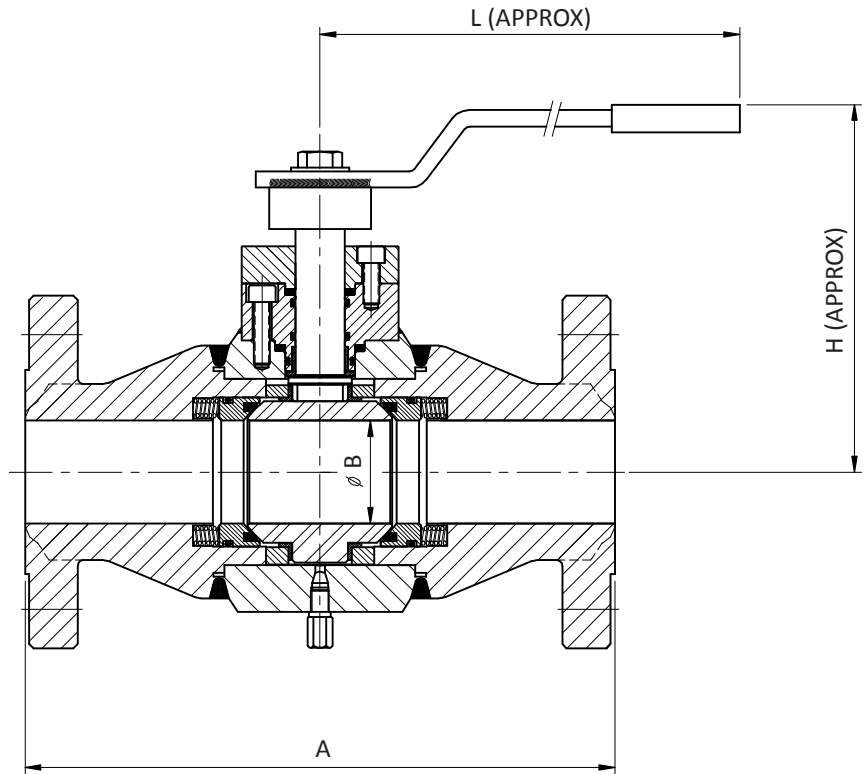
ASME Class 900



ELECTRICAL AND PNEUMATIC OPERATION UPON REQUEST



REDUCED BORE



ASME Class 900 dimensional data, mm

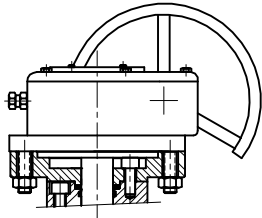
Size inches	BW	RF	RTJ	B	C	H	H1	WEIGHT	
								Full B.	Red. B.
2	368	368	371	51	-	180	-	46	-
3	381	381	384	76	51	330	180	69	47
4	457	457	460	102	76	520	330	129	92
6	610	610	613	152	102	590	520	325	185
8	737	737	740	203	152	690	590	570	475
10	838	838	841	254	203	815	690	965	645
12	965	965	968	305	254	850	815	1470	1095
14	1029	1029	1038	324	305	985	850	1930	1425
16	1130	1130	1140	375	324	1170	985	2465	2115
18	1219	1219	1232	425	375	1210	1170	3220	2900
20	1321	1321	1334	473	425	1295	1210	4280	3865
24	1549	1549	1568	571	473	1340	1295	6050	5335
26	1676	1676	-	619	571	1395	1340	6810	6165
28	1803	1803	-	673	619	1460	1395	8650	6950
30	1905	1905	-	714	673	1520	1460	10535	8740
32	2032	2032	-	762	714	1590	1520	12605	10720
34	2159	2159	-	810	762	1665	1590	14355	12485

Fully Welded

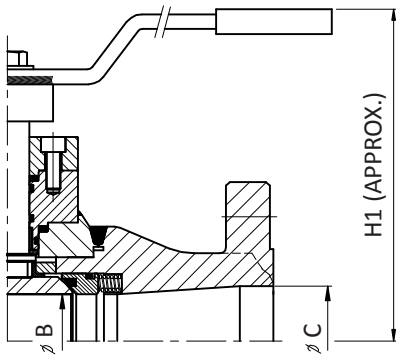


Trunnion Ball valve

ASME Class 1500

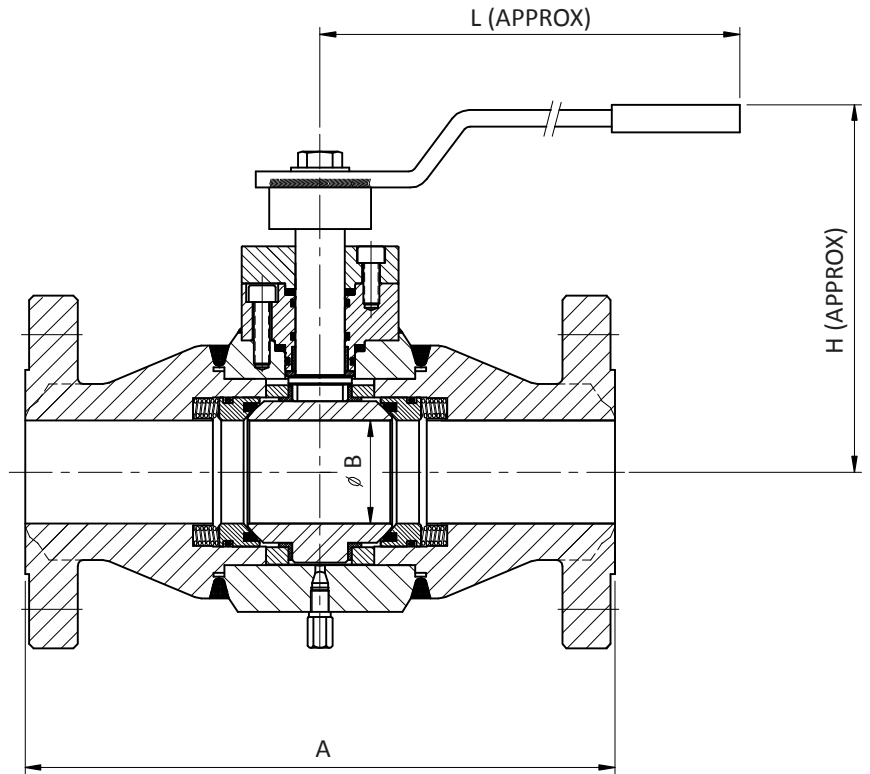


ELECTRICAL AND PNEUMATIC OPERATION UPON REQUEST



REDUCED BORE

H1 (APPROX.)



L (APPROX)

H (APPROX)

A

ASME Class 1500 dimensional data, mm

Size inches	BW	RF	RTJ	B	C	H	H1	WEIGHT	
								Full B.	Red. B.
3	470	470	473	76	51	390	340	95	70
4	546	546	549	102	76	490	390	190	110
6	705	705	711	146	102	740	490	495	280
8	832	832	841	194	146	810	740	960	600
10	991	991	1000	241	194	860	810	1510	1300
12	1130	1130	1146	289	241	930	860	2300	1800
14	1257	1257	-	317	289	1000	930	2900	2350
16	1384	1384	-	362	317	1075	1000	3650	3000
18	1537	1537	-	-	362	1190	1075	4700	4000
20	1664	1664	-	-	-	1245	1190	5150	4600
24	1943	1943	-	-	-	1360	1245	7900	6800