

Gate valves



Bolted bonnet

ASME Class 150/300

ASME Class 150 dimensional data, mm

Size inches	A		D (open)	E (closed)	ØF	Weight kg
	RF	BW				
3	203	282	533	457	254	40
4	228	304	645	538	254	52
6	266	403	850	693	355	90
8	292	419	1079	863	457	145
10	330	457	1308	1036	457	225
12	355	501	1447	1130	609	310
14	381	571	1651	1272	609	445
16	406	609	1879	1447	711	540
18	431	660	2184	1701	711	800
20	457	711	2431	1795	863	990
24	508	812	—	2189	711	1600
26	558	863	—	2387	863	1850
28	609	914	—	2590	863	2100
30	609	914	—	2819	863	2700
32	660	965	—	2870	863	3100
36	711	1016	—	2997	863	3950
40	812	1066	—	3302	1016	4650
42	812	1143	—	3479	1016	5100
48	1066	1371	—	3962	1016	6500

20 inches and smaller manually operated

Weights of raised flange valve style

Dimensional data of greater sizes available upon request

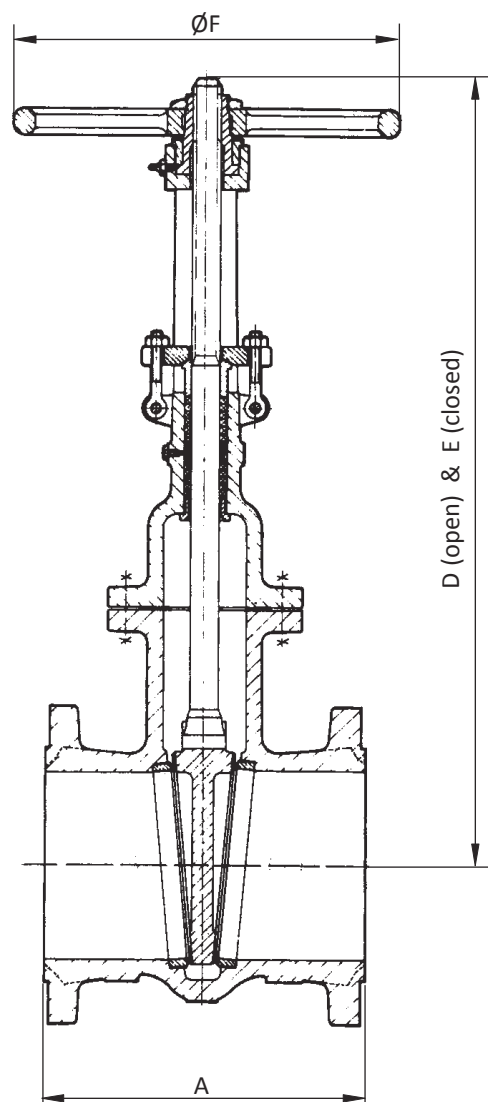
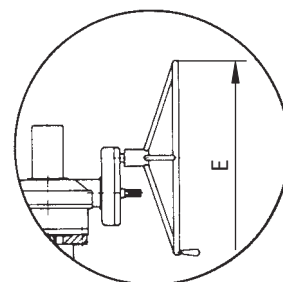
ASME Class 300 dimensional data, mm

Size inches	A	D (open)	E (closed)	ØF	Weight kg
	RF & BW				
3	282	596	520	254	52
4	304	716	609	355	85
6	403	984	825	457	150
8	419	1219	1009	609	240
10	457	1460	1193	711	380
12	501	1600	1282	863	430
14	762	—	1422	711	730
16	838	—	1549	711	930
18	914	—	1803	711	1300
20	990	—	1955	863	1625
24	1143	—	2425	863	2800
26	1244	—	2540	863	3100
28	1346	—	2641	863	3600
30	1397	—	2743	1016	4200
32	1524	—	2857	1016	4850
36	1727	—	3048	1016	5900
40	1955	—	3713	1016	8100
42	2032	—	3916	1016	9750
48	2986	—	4501	1016	13050

12 inches and smaller manually operated

Weights of raised flange valve style

Dimensional data of greater sizes available upon request



ASME Class 600/900

ASME Class 600 dimensional data, mm

Size inches	A RF & BW	D (open)	E (closed)	$\varnothing F$	Weight kg
3	355	609	533	254	85
4	431	755	647	355	120
6	558	1073	914	609	230
8	660	1301	1092	711	390
10	787	—	1181	711	620
12	838	—	1333	711	880
14	889	—	1473	711	1350
16	990	—	1651	863	1700
18	1092	—	1727	863	2140
20	1193	—	2019	863	2450
24	1397	—	2383	863	4550
26	1447	—	2500	863	5260
28	1549	—	2663	863	5960
30	1651	—	2840	1016	6700
32	1778	—	3100	1016	8312
36	2082	—	3450	1016	10125
40	2149	—	3600	1016	14300
42	2260	—	3950	1016	16460
48	2667	—	4600	1016	22900

8 inches and smaller manually operated

Weights of raised flange valve style

Dimensional data of greater sizes available upon request

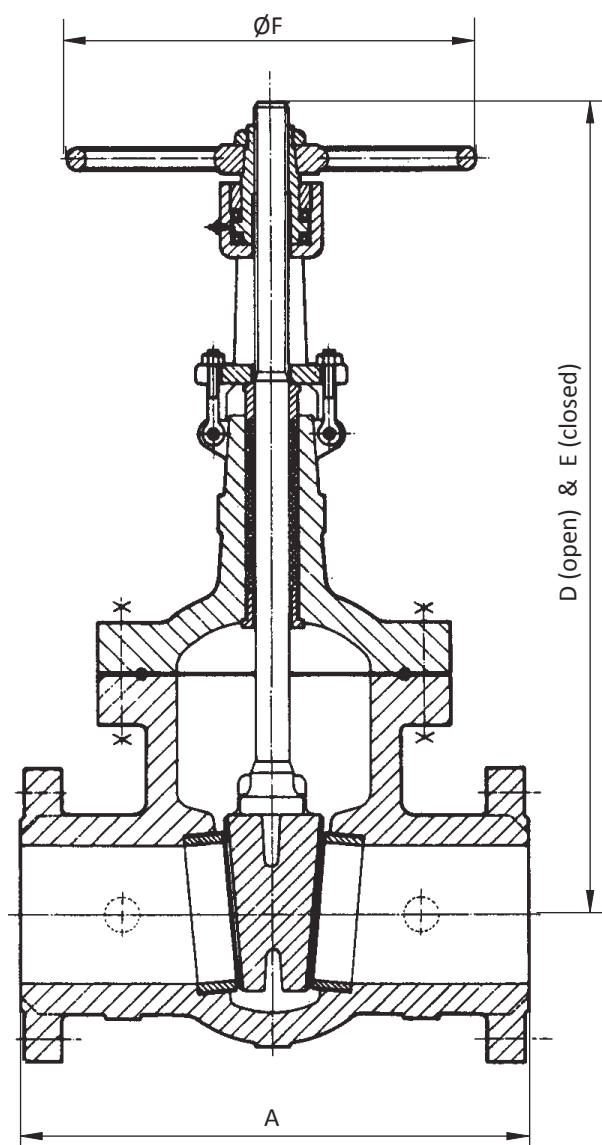
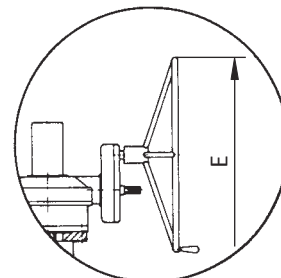
ASME Class 900 dimensional data, mm

Size inches	A RF & BW	D (open)	E (closed)	$\varnothing F$	Weight kg
3	381	685	609	355	105
4	457	774	673	457	140
6	609	1016	863	609	300
8	736	—	1079	711	530
10	838	—	1231	711	950
12	965	—	1384	863	1400
14	1028	—	1574	863	1800
16	1130	—	2159	863	2400
18	1219	—	2362	1016	3000
20	1320	—	2463	1016	3800
24	1549	—	3048	1016	4900

6 inches and smaller manually operated

Weights of raised flange valve style

Dimensional data of greater sizes available upon request



Gate valves



Bolted bonnet

ASME Class 1500

ASME Class 1500 dimensional data, mm

Size inches	A RF & BW	D (open)	E (closed)	$\varnothing F$	Weight kg
3	469	781	711	355	130
4	546	876	774	457	200
6	704	—	965	609	410
8	831	—	1244	711	720
10	990	—	1562	863	1400
12	1130	—	1955	863	2500
14	1257	—	2057	863	3200
16	1384	—	2311	1016	3800
18	1536	—	2438	1016	4400
20	1663	—	2590	1016	5200
24	1943	—	2946	1016	9500

4 inches and smaller manually operated

Weights of raised flange valve style

Dimensional data of greater sizes available upon request

