

## Bolted bonnet

### ASME Class 150/300

#### ASME Class 150 dimensional data, mm

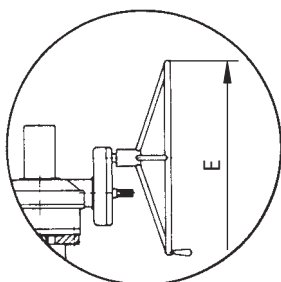
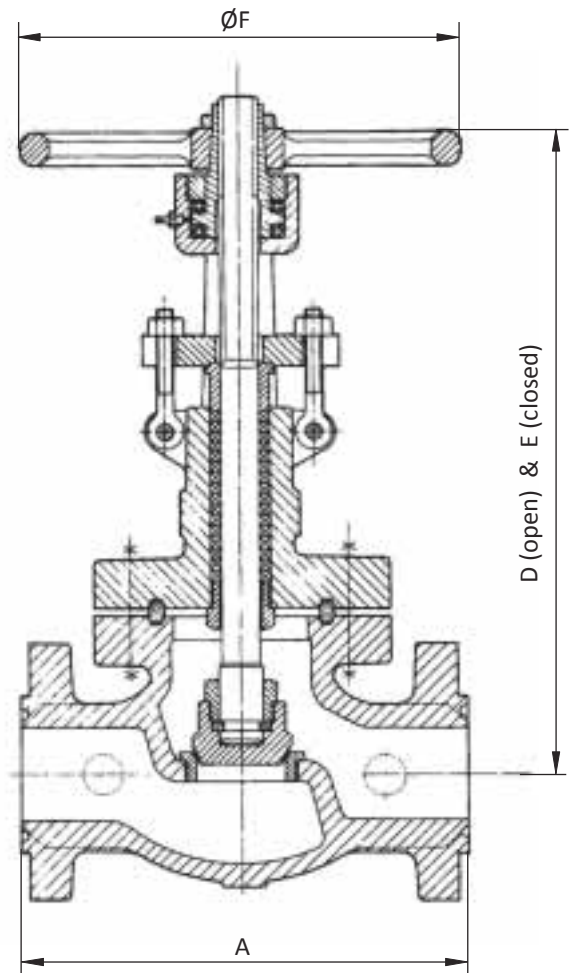
Size inches	A BW&RF	D (open)	E (closed)	$\varnothing F$	Weight kg
2	203	309	284	216	20
3	241	399	355	254	36
4	292	457	406	254	55
6	406	609	546	355	104
8	495	698	622	457	200
10	622	762	685	457	300
12	698	876	774	609	390
14	787	990	889	609	610
16	914	1104	977	711	880
18	977	1206	1066	711	1150
20	977	1270	1117	711	1650
24	1295	1498	1295	863	2200

Dimensional data of greater sizes upon request

#### ASME Class 300 dimensional data, mm

Size inches	A BW&RF	D (open)	E (closed)	$\varnothing F$	Weight kg
2	267	376	350	254	30
3	317	450	406	254	52
4	355	584	533	355	88
6	444	660	584	457	160
8	558	762	673	457	259
10	622	850	762	863	420
12	711	1187	1092	863	595
14	838	1085	990	863	876
16	863	—	1371	609	1200
18	977	—	1473	609	1600
20	1016	—	1574	711	2100
24	1346	—	1803	711	3150

14 inches and smaller manually operated  
Dimensional data of greater sizes upon request



# Globe valves



## Bolted bonnet

### ASME Class 600/900

#### ASME Class 600 dimensional data, mm

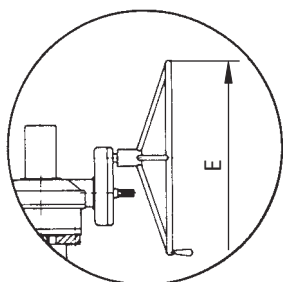
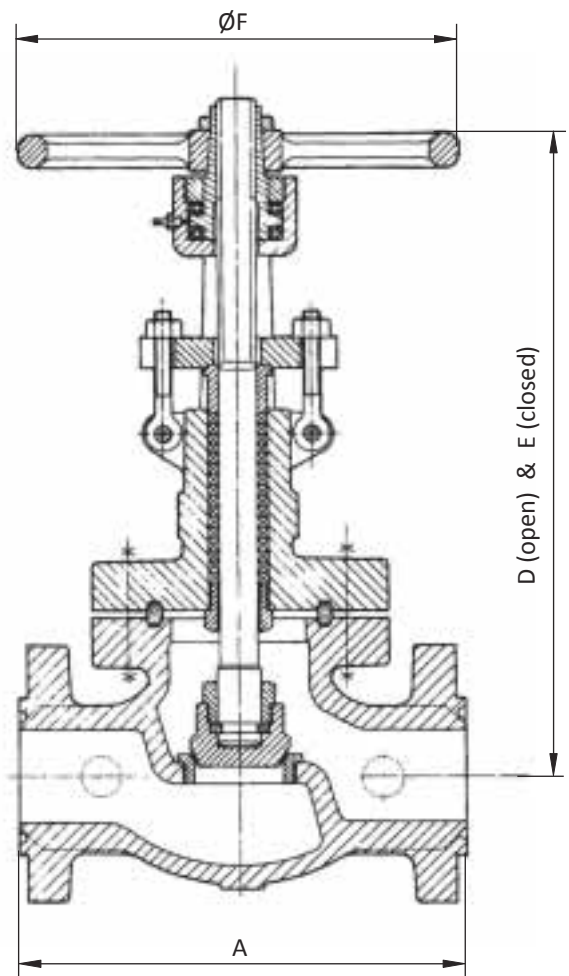
Size inches	A BW&RF	D (open)	E (closed)	$\varnothing F$	Weight kg
2	292	458	427	355	40
3	355	546	508	355	93
4	431	711	635	457	160
6	558	965	914	609	310
8	660	1117	1016	609	560
10	787	1320	1219	609	875
12	838	—	1520	609	1350
14	889	—	Gear	609	1520
16	991	—	Gear	609	2100

10 inches and smaller manually operated  
Dimensional data of greater sizes upon request

#### ASME Class 900 dimensional data, mm

Size inches	A BW&RF	D (open)	E (closed)	$\varnothing F$	Weight kg
2	368	531	498	355	80
3	381	685	635	355	120
4	457	838	774	508	200
6	609	1117	1041	508	410
8	736	1422	1333	609	790
10	838	—	1625	609	1400
12	965	—	Gear	609	2350
14	1029	—	Gear	863	3100
16	1130	—	Gear	863	4100

8 inches and smaller manually operated  
Dimensional data of greater sizes upon request



# Globe valves



## Bolted bonnet

### ASME Class 1500/2500

#### ASME Class 1500 dimensional data, mm

Size inches	A BW&RF	D (open)	E (closed)	$\varnothing F$	Weight kg
2	368	531	498	355	80
3	470	685	635	355	122
4	546	812	736	457	172
6	705	1193	1092	609	510
8	832	—	1482	508	875
10	990	—	1549	609	1675
12	1130	—	Gear	609	3100
14	1257	—	Gear	863	4500
16	1384	—	Gear	863	5800

6 inches and smaller manually operated  
Dimensional data of greater sizes upon request

#### ASME Class 2500 dimensional data, mm

Size inches	A BW&RF	D (open)	E (closed)	$\varnothing F$	Weight kg
2	451	543	510	355	140
3	578	685	645	560	265
4	673	817	765	700	438
6	914	996	930	800	900
8	1022	—	Gear	609	1430
10	1270	—	Gear	700	2500
12	1422	—	Gear	863	3700

6 inches and smaller manually operated  
Dimensional data of greater sizes upon request

